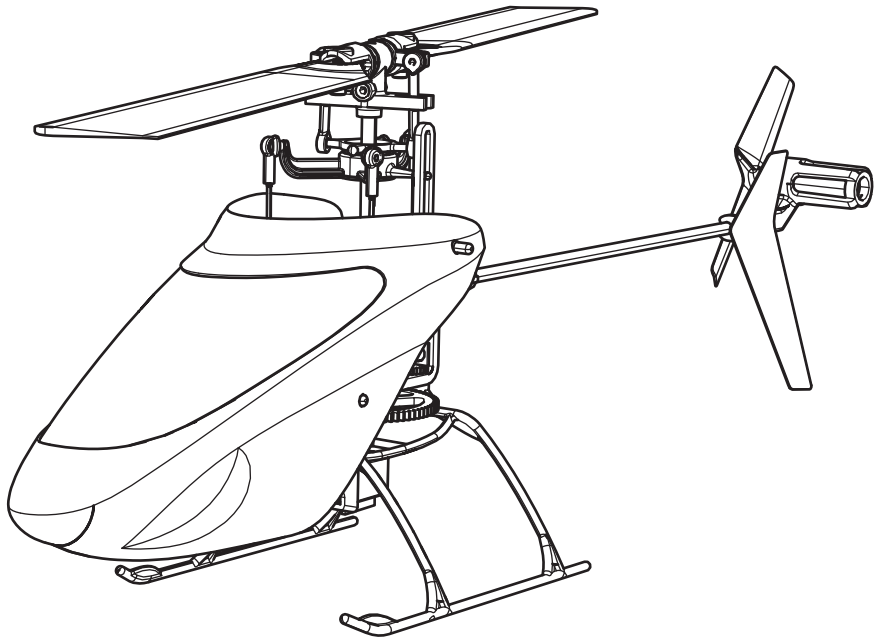


RTF **BNA**™

BLADE® **NANO**
GPX

#1 BY DESIGN



Instruction Manual
Bedienungsanleitung
Manuel d'utilisation
Manuale di istruzioni

NOTICE

All instructions, warranties and other collateral documents are subject to change at the sole discretion of Horizon Hobby, Inc. For up-to-date product literature, visit horizonhobby.com and click on the support tab for this product.

Meaning of Special Language

The following terms are used throughout the product literature to indicate various levels of potential harm when operating this product:

NOTICE: Procedures, which if not properly followed, create a possibility of physical property damage AND a little or no possibility of injury.

CAUTION: Procedures, which if not properly followed, create the probability of physical property damage AND a possibility of serious injury.

WARNING: Procedures, which if not properly followed, create the probability of property damage, collateral damage, and serious injury OR create a high probability of superficial injury.



WARNING: Read the ENTIRE instruction manual to become familiar with the features of the product before operating. Failure to operate the product correctly can result in damage to the product, personal property and cause serious injury.

This is a sophisticated hobby product. It must be operated with caution and common sense and requires some basic mechanical ability. Failure to operate this Product in a safe and responsible manner could result in injury or damage to the product or other property. This product is not intended for use by children without direct adult supervision. Do not attempt disassembly, use with incompatible components or augment product in any way without the approval of Horizon Hobby, Inc. This manual contains instructions for safety, operation and maintenance. It is essential to read and follow all the instructions and warnings in the manual, prior to assembly, setup or use, in order to operate correctly and avoid damage or serious injury.

Age Recommendation: Not for children under 14 years. This is not a toy.

Safety Precautions and Warnings

- Always keep a safe distance in all directions around your model to avoid collisions or injury. This model is controlled by a radio signal subject to interference from many sources outside your control. Interference can cause momentary loss of control.
- Always operate your model in open spaces away from full-size vehicles, traffic and people.
- Always carefully follow the directions and warnings for this and any optional support equipment (chargers, rechargeable battery packs, etc.).
- Always keep all chemicals, small parts and anything electrical out of the reach of children.
- Always avoid water exposure to all equipment not specifically designed and protected for this purpose. Moisture causes damage to electronics.
- Never place any portion of the model in your mouth as it could cause serious injury or even death.
- Never operate your model with low transmitter batteries.
- Always keep aircraft in sight and under control.
- Always engage throttle hold at rotor strike.
- Always use fully charged batteries.
- Always keep transmitter powered on while aircraft is powered.
- Always remove batteries before disassembly
- Always keep moving parts clean.
- Always keep parts dry.
- Always let parts cool after use before touching.
- Always remove batteries after use.
- Never operate aircraft with damaged wiring.
- Never touch moving parts.

Introduction

As you are about to see, the Blade Nano CP X is an ultra micro heli experience unlike any other. The agility of the advanced AS3X® (Artificial Stabilization – 3-axis) Flybarless System and its feather-light airframe eclipse that of just about every other heli its size. Inverted flight, loops, flips, rolls, funnels, hurricanes – the Nano CP X will do it all.

If you're transitioning from a basic CCPM or fixed-pitched heli, you'll find the Nano CP X is a great way to get comfortable flying aerobatic CCPM helis without having to invest a lot in expensive equipment or repairs. Its AS3X Flybarless System delivers a perfect balance of agility and stability that lets you explore your limits at your speed.

Before you start flying, though, please take time to read through this manual. It contains important pre-flight information and useful tips that will help ensure your first flight, and every one after it, is the best it can be.

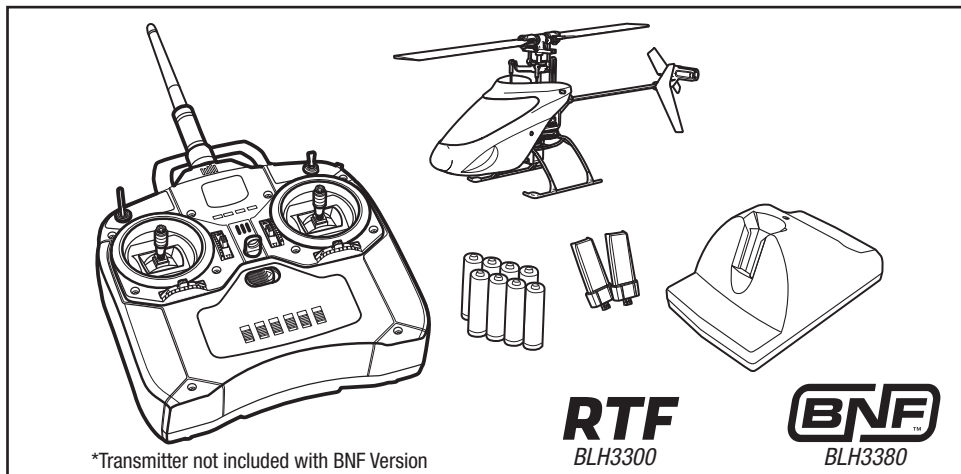


Table of Contents

Charging Warnings.....	4	Low Voltage Cutoff (LVC).....	10
Battery Charging.....	4	Flying the Nano CP X.....	10
AS3X Flybarless Helicopter Technology.....	5	Troubleshooting Guide.....	11
First Flight Preparation.....	5	Exploded View and Parts Listings.....	12
Flying Checklist.....	5	Limited Warranty.....	14
Programming Your Transmitter.....	5	Warranty and Service Contact Information.....	15
Transmitter and Receiver Binding.....	7	Customer Service Information.....	15
Understanding the Primary Flight Controls.....	8	FCC Information.....	16
Throttle Hold.....	9	Compliance Information for the European Union.....	16
Stunt Mode.....	9		
Installing the Flight Battery.....	10		

Blade Nano CP X Features	Ready To Fly	Bind-N-Fly
Airframe – Blade Nano CP X	Included	Included
Main and Tail Motors – Brushed	Installed	Installed
On-board Electronics – Flybarless 3n1 Control Unit, RX/ESCs/Gyros	Installed	Installed
Battery – 150mAh 1S 3.7V 25C LiPo Battery	Included	Included
Charger – 1-Cell 3.7V 0.3A DC Li-Po Charger	Included	Included
Transmitter – Requires a DSM2®/DSMX® Compatible Transmitter	DX4e Included	Sold Separately
Transmitter Batteries – 4 AA	Included	Sold Separately

Blade Nano CP X Specifications			
Length	7.75 in (197mm)	Main Rotor Diameter	7.75 in (197mm)
Height	3.10 in (79mm)	Tail Rotor Diameter	1.60 in (40mm)
Flying Weight	1.00 oz (29 g)		

Visit www.bladeheli.com to register your helicopter

Charging Warnings

The Battery Charger (EFLC1000) included with your helicopter has been designed to safely charge the Li-Po battery.

CAUTION: All instructions and warnings must be followed exactly. Mishandling of Li-Po batteries can result in a fire, personal injury and/or property damage.

- By handling, charging or using the included Li-Po battery, you assume all risks associated with lithium batteries.
- If at any time the battery begins to balloon or swell, discontinue use immediately. If charging or discharging, discontinue and disconnect. Continuing to use, charge or discharge a battery that is ballooning or swelling can result in fire.
- Always store the battery at room temperature in a dry area for best results.
- Always transport or temporarily store the battery in a temperature range of 40–120° F (5–49° C). Do not store battery or model in a car or direct sunlight. If stored in a hot car, the battery can be damaged or even catch fire.
- Always charge batteries away from flammable materials.
- Always inspect the battery before charging
- Always disconnect the battery after charging, and let the charger cool between charges.
- Always constantly monitor the temperature of the battery pack while charging.
- ONLY USE A CHARGER SPECIFICALLY DESIGNED TO CHARGE LI-PO BATTERIES. Failure to charge the battery with a compatible charger may cause a fire resulting in personal injury and/or property damage.
- Never discharge Li-Po cells to below 3V under load.
- Never cover warning labels with hook and loop strips.
- Never leave charging batteries unattended.
- Never charge batteries outside recommended levels.
- Never charge damaged batteries.
- Never attempt to dismantle or alter the charger.
- Never allow minors to charge battery packs.
- Never charge batteries in extremely hot or cold places (recommended between 40–120° F or (5–49° C) or place in direct sunlight.

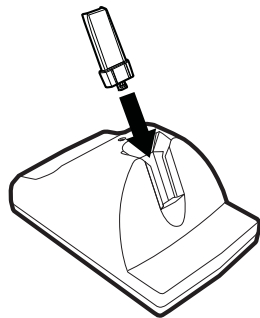
WARNING: For optional AC operation, only use an E-flite 6V power supply with this charger. DO NOT use a 12V power supply or property damage and injury could occur.

Battery Charging

E-flite® 1-Cell 3.7V Rate 0.3A DC Li-Po Charger (EFLC1000) Instructions:

1. Charge only batteries that are cool to the touch and are not damaged. Look at the battery to make sure it is not damaged e.g., swollen, bent, broken or punctured.
2. Remove the cover on the bottom of the charger and install four of the included AA batteries, noting proper polarity. Replace the cover after the AA batteries are installed.
3. Slide the battery into the slot on the charger. The end cap of the battery is specifically designed to allow the battery to fit into the slot one way (usually with the label on the battery facing outward) to prevent reverse polarity connection. However, check for proper alignment and polarity before proceeding to the next step.
4. Gently press the battery and its connector into the charge jack/connector located at the bottom of the slot in the charger.
5. When you make the connection successfully, the LED on the charger turns solid red, indicating charging has begun.

6. Charging a fully discharged (not over-discharged) 150mAh battery takes approximately 20–30 minutes. As the battery nears full charge, the LED begins to blink.



7. When the battery is fully charged, the LED blinks approximately every 20 seconds or goes out entirely. **If the LED stays on when the battery is removed, the AA batteries in the charger are low.**
8. Always remove the battery from the charger immediately upon completion of charging.

NOTICE: Only use the included charger. For DC charger operation (AA batteries): only use alkaline AA batteries to power the charger. Do not use rechargeable AA batteries.

CAUTION: NEVER attempt to power the charger from an AC outlet without the use of a proper AC to DC adapter/power supply.

WARNING: For AC operation, only use an *E-flite* 6V power supply with this charger. DO NOT use a 12V power supply or property damage and injury could occur.

AS3X Flybarless Helicopter Technology

The Blade® Nano CP X features on-board AS3X flybarless technology. AS3X® technology combines 3-axis gyro stabilization with a new flybarless collective pitch rotor head, resulting in less drag, fewer parts and increased performance.

The AS3X technology also improves tracking, stability and cyclic response for intermediate and advanced pilots. However, the AS3X flybarless system is not a flying aid for beginners.

First Flight Preparation

- Remove and inspect contents
- Charge the flight battery
- Install the four AA batteries in the transmitter (**RTF ONLY**)
- Install the fully charged flight battery in the helicopter
- Program your computer transmitter (**BNF ONLY**)
- Test the controls
- Familiarize yourself with the controls
- Find a suitable area for flying

Flying Checklist

- Always turn the transmitter on first
- Plug the flight battery into the lead of the 3-in-1 control unit
- Allow the 3-in-1 control unit to initialize and arm properly
- Fly the model
- Land the model
- Unplug the flight battery from the 3-in-1 control unit
- Always turn the transmitter off last

BNF
BIND-N-FLY™

Programming Your Transmitter (Computer Transmitters Only)

Program your transmitter before attempting to bind or fly the helicopter. If the throttle and pitch programming values are incorrect, the helicopter will not respond. Transmitter programming values are shown below for the Spektrum™ DX6i, DX7, DX7s, DX8, and DX18. The Spektrum DX8, DX7s, and DX18 model files are also available for download online at the Spektrum DX8 Community.

NOTICE: When using a Futaba® transmitter with a Spektrum DSM module, you must reverse the throttle channel and rebind. Refer to your Spektrum module manual for binding and failsafe instructions. Refer to your Futaba transmitter manual for instructions on reversing the throttle channel.

DX6i

SETUP LIST	ADJUST LIST		Thro Curve						
Model Type	D/R & Expo								
HELI	0-AILE	100%	30%	NORM	0%	40%	60%	80%	100%
Reverse	0-ELEV	100%	30%	STUNT	100%	100%	100%	100%	100%
THRO N	0-RUDD	100%	INH	HOLD	10%	10%	10%	10%	10%
AILE N	1-AILE	85%	30%						
ELEV N	1-ELEV	85%	30%	Pitc Curve					
RUDD N	1-RUDD	85%	INH	NORM	30%	40%	50%	75%	100%
GYRO N	Travel Adj			STUNT	0%	25%	50%	75%	100%
PITC R	THRO	100%		HOLD	0%	25%	50%	75%	100%
Swash Type	AILE	100%							
1 Servo 90	ELEV	100%							
Timer	RUDD	100%							
4:00	GYRO	100%							
	PITC	100%							

Programming Your Transmitter contd.

DX7/DX7se

SYSTEM LIST		FUNCTION MODE							
Model Type		D/R & EXP		Thro Curve					
HELI		EXP	D/R	NORM	0%	40%	60%	80%	100%
		0-AILE	100%	100%	ST-1	100%	INH	80%	INH%
Swash Type		0-ELEV	30%	100%	ST-2	100%	100%	100%	100%
1 Servo 90		0-RUDD	INH	100%	HOLD	0%	0%	0%	0%
		1-AILE	30%	85%	Pitch Curve				
		1-ELEV	30%	85%	NORM	30%	INH	50%	INH
		1-RUDD	INH	85%	ST-1	0%	INH	50%	INH
		Travel Adj		ST-2	0%	INH	50%	INH	100%
		THRO	100%	HOLD	0%	INH	50%	INH	100%
		AILE	100%	Reversing SW		Timer			
		ELEV	100%	THRO	N	RUDD	N	4:00	
		RUDD	100%	AILE	N	GEAR	N		
		GEAR	100%	ELEV	N	PIT.	N		
		PIT.	100%						

DX7s

SYSTEM SETUP		FUNCTION LIST								
Model Type		D/R & Expo		Throttle Curve						
HELICOPTER		0-AILE	100%	30%	NORM	0%	40%	60%	80%	100%
		0-ELEV	100%	30%	ST-1	100%	100%	100%	100%	100%
Swash Type		0-RUDD	100%	0%	HOLD	0%	0%	0%	0%	0%
1 Servo Normal		1-AILE	85%	30%	Pitch Curve					
		1-ELEV	85%	30%	NOR	30%	40%	50%	75%	100%
		1-RUDD	85%	0%	ST-1	0%	25%	50%	75%	100%
F-Mode Setup				HOLD	0%	25%	50%	75%	100%	
Flight Mode: F Mode										
Hold: Hold										
Frame Rate		SERVO SETUP								
22ms		Travel	Reverse		Timer					
DSMX		THRO	100%	THRO	N	4:00	Basic Flying			
		AILE	100%	AILE	N	3:00	Advanced Flying			
		ELEV	100%	ELEV	N	MODE	Countdown			
		RUDD	100%	RUDD	N	TIME	4:00 Tone/Vibe			
		GEAR	100%	GEAR	N	START	Throttle Out			
		PIT.	100%	PIT.	N	POS	25			

DX8/DX18

SYSTEM SETUP		FUNCTION LIST								
Model Type		D/R & Expo		Throttle Curve						
HELI		0-AILE	100%	30%	NORM	0%	40%	60%	80%	100%
		0-ELEV	100%	30%	ST-1	100%	90%	80%	90%	100%
Swash Type		0-RUDD	100%	0%	ST-2	100%	100%	100%	100%	100%
1 Servo Normal		1-AILE	85%	30%	HOLD	0%	0%	0%	0%	0%
		1-ELEV	85%	30%	Pitch Curve					
		1-RUDD	85%	0%	NOR	30%	40%	50%	75%	100%
F-Mode Setup		2-AILE	85%	30%	ST-1	0%	25%	50%	75%	100%
Flight Mode: F Mode		2-ELEV	85%	30%	ST-2	0%	25%	50%	75%	100%
Hold: Hold		2-RUDD	85%	0%	HOLD	0%	25%	50%	75%	100%
Frame Rate		SERVO SETUP								
22ms		Travel	Reverse		Timer					
DSMX		THRO	100%	THRO	N	4:00	Basic Flying			
		AILE	100%	AILE	N	3:00	Advanced Flying			
		ELEV	100%	ELEV	N	MODE	Countdown			
		RUDD	100%	RUDD	N	TIME	4:00 Tone/Vibe			
		GEAR	100%	GEAR	N	START	Throttle Out			
		PIT.	100%	PIT.	N	POS	25			

Transmitter and Receiver Binding

If you purchased an RTF model, the transmitter is bound to the model at the factory.

To bind or re-bind your Nano CP X to your chosen transmitter, please follow the directions below:

Binding is the process of programming the receiver of the control unit to recognize the GUID (Globally Unique Identifier) code of a single specific transmitter. You need to 'bind' your chosen *Spektrum™ DSM2®/DSMX®* technology equipped aircraft transmitter to the receiver for proper operation.

NOTICE: Use the Non-Computer Radio binding instructions if you are using a DX4e or DX5e transmitter with the Nano CP X BNF.

✓ Binding Procedure for Computer Radios:

1.	Disconnect the flight battery from the helicopter.
2.	Power off the transmitter and move all switches to the 0 position.
3.	Connect the flight battery to the helicopter. The 3-in-1 Control unit LED flashes after 5 seconds.
4.	Push the bind switch/button while powering on the transmitter.
5.	After 2–3 seconds, release the bind switch/button.
6.	Move the rudder control stick to full right. Continue to hold the rudder control stick to full right until the blue LED on the 3-in-1 control unit is solid.
7.	Release the rudder control stick.
8.	Disconnect the flight battery and power the transmitter off.

NOTICE: The throttle will not arm if the transmitter's throttle control is not put at the lowest position and the stunt mode switch is not in the 0 position.

If you encounter problems, obey binding instructions and refer to the troubleshooting guide for other instructions. If needed, contact the appropriate Horizon Product Support office.

For a list of compatible *DSM2/DSMX* transmitters, please visit www.bindnfly.com.

✓ Binding Procedure for Non-Computer Radio (DX4e, DX5e)

1.	Disconnect the flight battery from the helicopter.
2.	Power off the transmitter and move all switches to the 0 position.
3.	Connect the flight battery to the helicopter. The 3-in-1 Control unit LED flashes after 5 seconds.
4.	Push the trainer switch or button while powering on the transmitter.
5.	Move the rudder control stick to full left after the transmitter LED lights flash twice.
6.	Release the trainer switch/button. Continue to hold the rudder control stick to full left until the blue LED on the 3-in-1 control unit is solid.
7.	Release the rudder control stick.
8.	Push the trainer switch/button. The blue LED on the 3-in-1 control unit flashes to confirm the helicopter is in non-computer mode.
9.	Disconnect the flight battery and power the transmitter off.

NOTICE: If the swashplate moves up and down when the trainer switch is moved, the helicopter is in computer transmitter mode; repeat binding procedure.

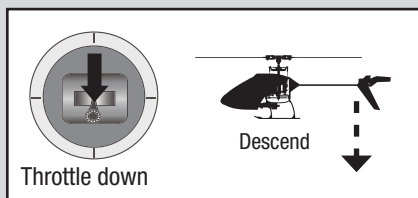
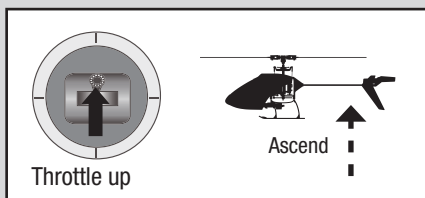
Understanding the Primary Flight Controls

If you are not familiar with the controls of your Nano CP X, take a few minutes to familiarize yourself with them before attempting your first flight.

Throttle (model viewed from left)

Mode 1

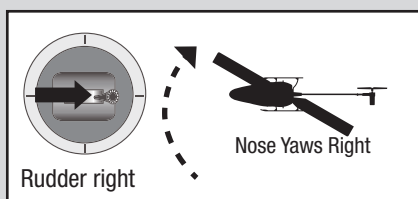
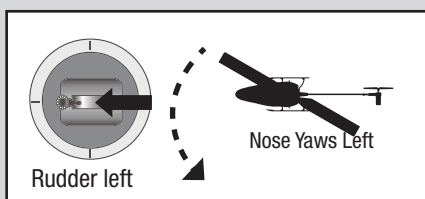
Mode 2



Rudder (model viewed from top)

Mode 1

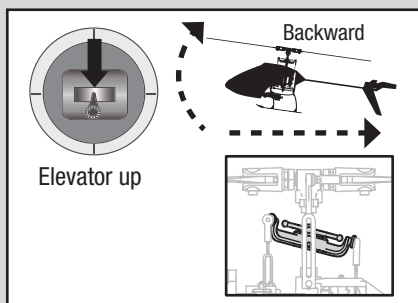
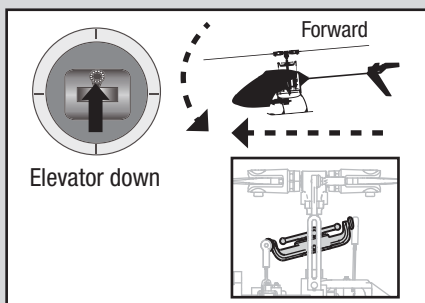
Mode 2



Elevator (model viewed from left)

Mode 1

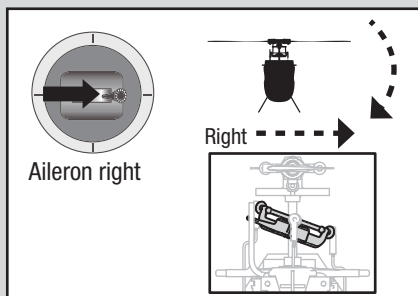
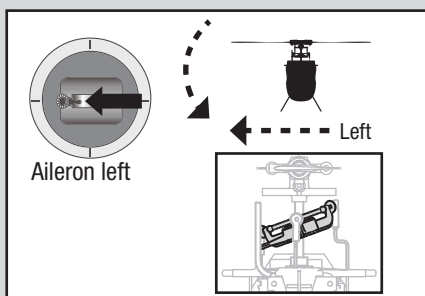
Mode 2



Aileron (model viewed from back)

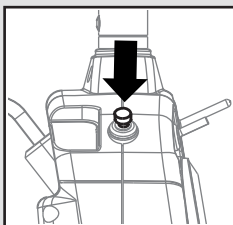
Mode 1

Mode 2



Throttle Hold

Throttle hold is used to turn off the helicopter motors if the helicopter is out of control, in danger of crashing or both. Activate throttle hold anytime the helicopter is in danger to reduce the chance of damaging the helicopter in a crash. Throttle hold will stop the motor in normal or stunt mode.

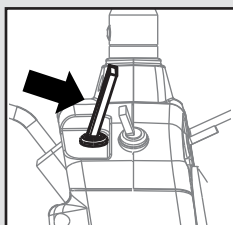
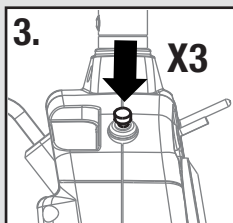
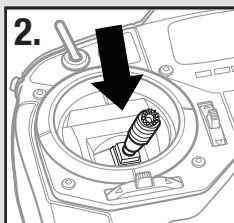
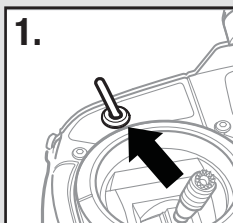


Throttle Hold ON (DX4e)

Press the trainer button anytime to turn throttle hold ON after connecting the battery to the helicopter. The blue LED flashes, indicating throttle hold is ON.

Throttle Hold OFF (DX4e)

1. Make sure the AUX switch is in the OFF position.
2. Lower the throttle stick.
3. Press the trainer button three times within 3 seconds. The blue LED is solid.

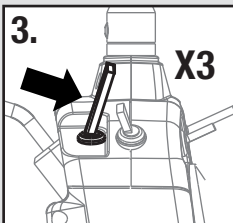
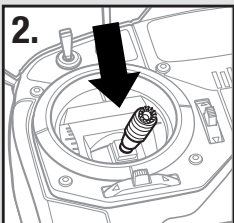
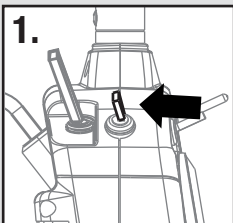


Throttle Hold ON (DX5e)

Pull the trainer switch anytime to turn throttle hold ON after connecting the battery to the helicopter. The blue LED flashes, indicating throttle hold is ON.

Throttle Hold OFF (DX5e)

1. Make sure the Gear switch is in the (0) position.
2. Lower the throttle stick.
3. Pull the trainer switch three times within 3 seconds. The blue LED is solid.



Stunt Mode

Stunt Mode allows the helicopter to fly inverted and perform aerobatics. The throttle runs continuously when Stunt Mode is ON, regardless of throttle stick position. Turn Stunt Mode OFF to return control to the throttle stick.

Use the AUX/ACT switch on the DX4e transmitter or Gear switch on the DX5e transmitter to activate Stunt Mode.

DX4e – AUX/ACT OFF – Normal Mode

DX5e – Ch 5 (0) – Normal Mode

AUX/ACT ON – Stunt Mode

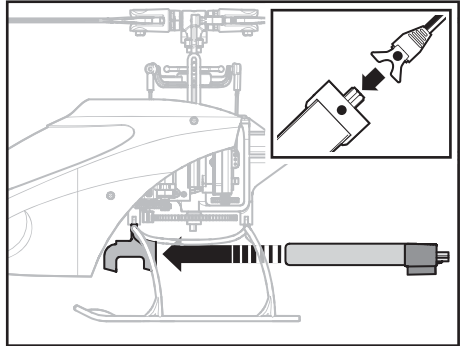
DX5e – Ch 5 (1) – Stunt Mode

Installing the Flight Battery

1. Lower the throttle and throttle trim to the lowest settings.
2. Power on the transmitter.
3. Install the flight battery in the battery holder. Connect the battery cable to the 3-in-1 control unit.

NOTICE: Do not allow the helicopter to move until the blue LED on the 3-in-1 control unit is solid.

NOTICE: Always disconnect the Li-Po battery from the 3-in-1 control unit of the aircraft when not flying. Failure to do so will render the battery unusable.



Low Voltage Cutoff (LVC)

Low voltage cutoff (LVC) protects the Li-Po battery from overdischarge in flight and activates when the battery reaches 3V per cell under load. Set your transmitter timer for 4 minutes and land when the timer expires.

LVC Precautions and Guidelines

- Repeatedly activating LVC damages the flight battery and you will need to replace the battery.
- Always unplug the Li-Po battery from the flybarless unit at the end of each flight. Failure to unplug the Li-Po battery during storage will over-discharge the battery and will prevent it from charging in the future.
- LVC does not protect the battery from over-discharge during storage.
- The warranty does not cover crash damage or battery damage.

Flying the Nano CP X

Consult local laws and ordinances before choosing a location to fly your aircraft. Select a large, open area away from people and objects. The Blade Nano CP X can fly outdoors on a calm day or indoors in a gymnasium.



CAUTION: Please take a few minutes to familiarize yourself with the Blade Nano CP X primary controls before attempting your first flight. The Blade Nano CP X is more responsive than other Blade micro helicopters like the Blade mSR. Seek help from an experienced pilot if you are new to collective pitch helicopters.

Takeoff

Gradually increase the throttle to allow the helicopter time to increase rotor head speed.

NOTICE: Do not give any aileron, elevator or rudder commands before takeoff or the helicopter may crash.

Flying

The helicopter lifts off the ground when the rotor head reaches a suitable speed, and you apply collective pitch. Establish a low-level hover to verify proper operation of your helicopter.

For pilots new to collective pitch helicopters, familiarize yourself with your Nano CP X in normal mode and at low rate. As you become more familiar with the helicopter's response, adjust the rates, expo, pitch and throttle curves to suit your flying style.

NOTICE: Always fly the helicopter with your back to the sun to prevent loss of flight control.

Landing

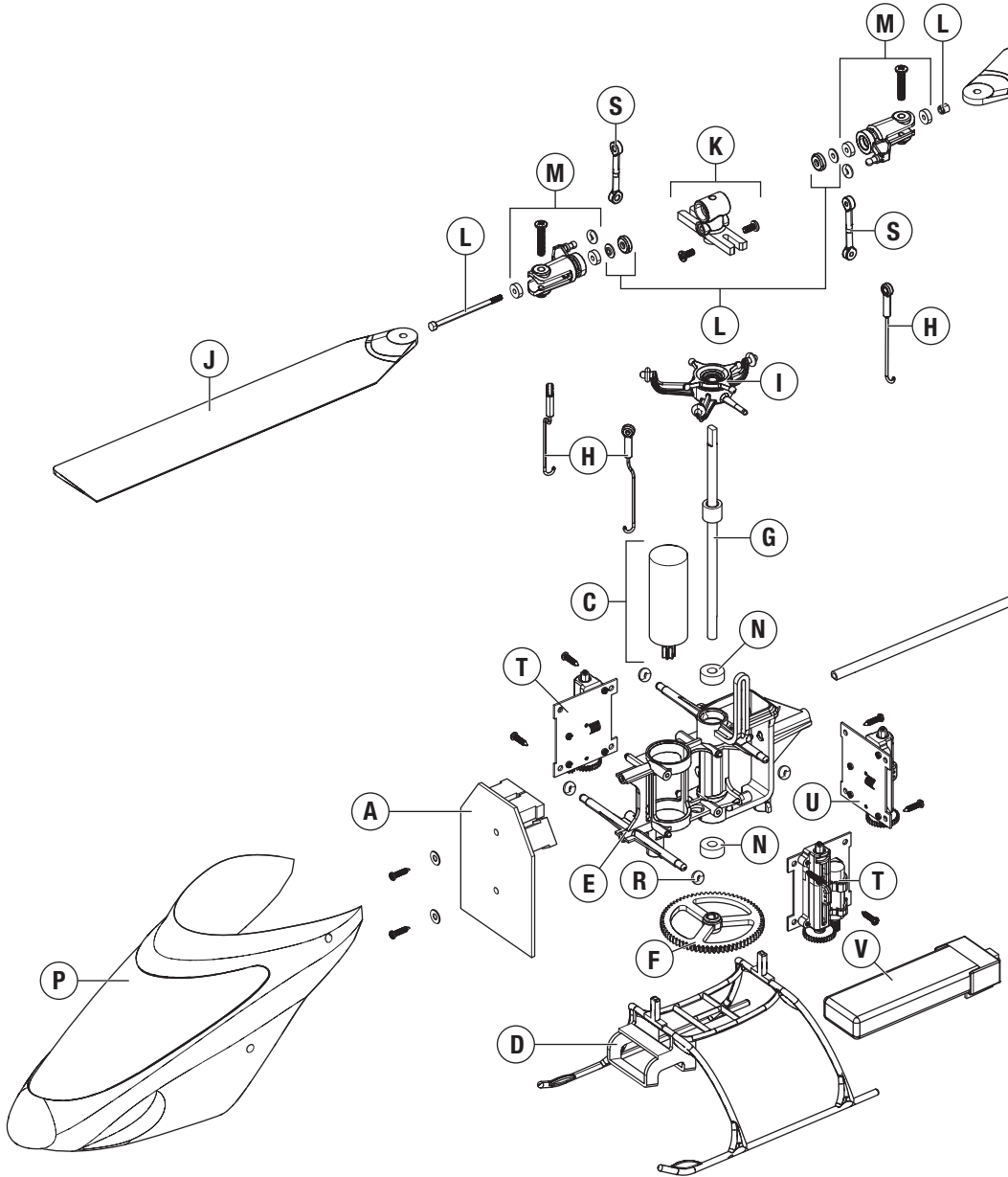
Establish a low level hover. Slowly lower the throttle until the helicopter lands. Make only small control corrections during this time to avoid rotor blade strikes or other damage.

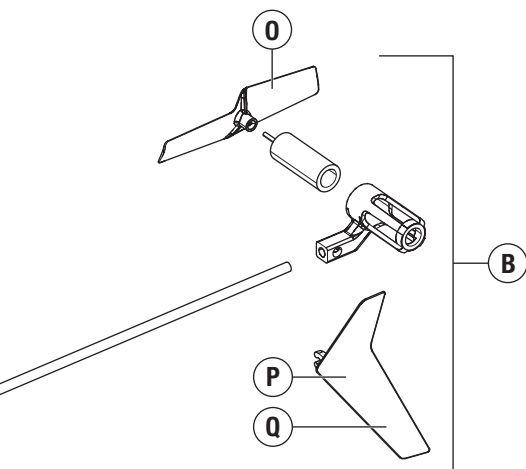
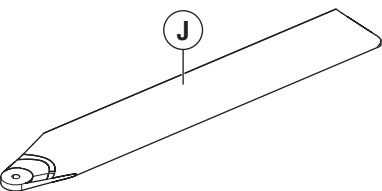
NOTICE: To minimize damage, always activate throttle hold in preparation for or during a crash.

Troubleshooting Guide

Problem	Possible Cause	Solution
Helicopter will not initialize	Throttle at high position	Reset controls with throttle stick and throttle trim at center or lowest setting
	Switches not in normal position	Set flight mode to OFF/0 and exit throttle hold.
	Pitch or throttle servo reversing improperly configured	Reset servo reversing <i>Refer to "Programming your Transmitter"</i>
Helicopter will not spool up	Throttle hold on	Turn off HOLD with throttle low and trim centered or low. <i>Refer to "Throttle Hold"</i>
	Low battery voltage	Completely recharge flight battery
Motor power decreases during flight	Receiver uses default soft Low Voltage Cutoff (LVC)	Recharge flight battery or replace battery that is no longer performing
Cannot turn off throttle hold	Stunt Mode switch still on	Set flight mode to OFF/ 0 and exit throttle hold.
	Throttle not at low position	Reset controls with throttle stick and throttle trim at center or lowest setting
Powers off when flying upside down (inverted)	Stunt Mode off	When flying, switch stunt mode to ON/1 before flying inverted.
Will not bind properly to non-computer radio	Helicopter binds differently to non-computer radios	Release bind button/ switch after applying left rudder. Do not hold the bind button/ switch after applying left rudder.
Poor tail authority	Tail boom is cracked	Replace tail boom
	The tail rotor blade is warped or bent.	Twist rotor blade back into position or replace.
Climb out rate is greatly reduced	Main gear has slipped on the main shaft.	Push main gear back into position.
LED on receiver flashes rapidly and aircraft will not bind to transmitter (during binding)	Transmitter is too near aircraft during binding process	Power off transmitter, move transmitter a larger distance from aircraft, disconnect and reconnect flight battery to aircraft and follow binding instructions
	Bind switch or button was not held while transmitter was powered on	Power off transmitter and repeat bind process
	Aircraft or transmitter is too close to large metal object, wireless source or another transmitter	Move aircraft and transmitter to another location and attempt binding again
LED on receiver flashes rapidly and aircraft will not respond to transmitter (after binding)	Less than a 5-second wait between first powering on transmitter and connecting flight battery to aircraft	Leaving transmitter on, disconnect and reconnect flight battery to aircraft
	Aircraft is bound to a different model memory (<i>ModelMatch™</i> radios only)	Select correct model memory on transmitter and disconnect and reconnect flight battery to aircraft
	Flight battery/transmitter battery charge is too low	Replace/recharge batteries
	Transmitter may have been bound to a different model (or with a different <i>DSM</i> Protocol)	Select the right transmitter or bind to the new one
	Aircraft or transmitter is too close to large metal object, wireless source or another transmitter	Move aircraft and transmitter to another location and attempt connecting again
Helicopter vibrates or shakes in flight	Damaged rotor blades, spindle or blade grips	Check main rotor blades and blade grips for cracks or chips. Replace damaged parts. Replace bent spindle.

Exploded View and Parts Listings





Optional Parts

Part #	Description
BLH3318A	Blue Canopy Set: Nano CP X
BLH3320A	Blue Vertical Fin: Nano CP X
EFLC1004	Celectra™ 4 port charger
EFLC1005	AC to 6VDC 1.5-Amp Power Supply
	DX6i Transmitter
	DX7S Transmitter
	DX8 Transmitter
	DX18 Transmitter

Part #	Description
L	BLH3313 Feathering Spindle w/O-Rings & Hardware: Nano CP X
M	BLH3314 Main Blade Grips with Bearings: Nano CP X
N	BLH3315 2x5x2 Bearing (2)
O	BLH3603 Tail Rotor: mCP X/2, Nano CP X
P	BLH3318 Yellow Canopy Set: Nano CP X
Q	BLH3320 Vertical Fin with Decal: Nano CP X
R	BLH3521 Canopy grommets (8)
S	BLH3322 Rotor Head Linkage Set (4): Nano CP X
	BLH3323 Hardware Set: Nano CP X
T	SPMSH2025L 2.0 g Linear Long, 15mm Lead
U	SPMSH2026L 2.1 g Linear Long, 38mm Lead
	SPMR4400 DX4e DSMX 4-Channel Full Range Tx
	EFLC1000 1-Cell 3.7V 0.3A DC Li-Po Charger
V	EFLB1501S25 150mAh 1S 3.7V 25C Li-Po Battery
	SPM6836 Servo Mechanics: 2.3 g 2030L
	BLH3324 Spindle Tool Set: Nano CP X

Part #	Description
A	BLH3301 Flybarless 3n1 Control Unit, RX/ESCs/ Gyros: Nano CP X
B	BLH3302 Tail Boom Assembly w/Tail Motor/ Rotor/Mount: Nano CP X
C	BLH3303 Main Motor with Pinion: Nano CP X
D	BLH3304 Landing Skid and Battery Mount: Nano CP X
E	BLH3305 Main Frame with Hardware: Nano CP X
F	BLH3306 Main Gear: Nano CP X, Scout CX
G	BLH3307 Carbon Fiber Main Shaft w/Collar & Hardware: Nano CP X
H	BLH3308 Servo Pushrod Set with ball link, 3pcs: Nano CP X
I	BLH3309 Complete Precision Swashplate: Nano CP X
J	BLH3310 Main Rotor Blade Set w/Hardware: Nano CP X
K	BLH3312 Main Rotor Hub with Hardware: Nano CP X

Limited Warranty

What this Warranty Covers

Horizon Hobby, Inc., (Horizon) warrants to the original purchaser that the product purchased (the "Product") will be free from defects in materials and workmanship at the date of purchase.

What is Not Covered

This warranty is not transferable and does not cover (i) cosmetic damage, (ii) damage due to acts of God, accident, misuse, abuse, negligence, commercial use, or due to improper use, installation, operation or maintenance, (iii) modification of or to any part of the Product, (iv) attempted service by anyone other than a Horizon Hobby authorized service center, (v) Product not purchased from an authorized Horizon dealer, or (vi) Product not compliant with applicable technical regulations.

OTHER THAN THE EXPRESS WARRANTY ABOVE, HORIZON MAKES NO OTHER WARRANTY OR REPRESENTATION, AND HEREBY DISCLAIMS ANY AND ALL IMPLIED WARRANTIES, INCLUDING, WITHOUT LIMITATION, THE IMPLIED WARRANTIES OF NON-INFRINGEMENT, MERCHANTABILITY AND FITNESS FOR A PARTICULAR PURPOSE. THE PURCHASER ACKNOWLEDGES THAT THEY ALONE HAVE DETERMINED THAT THE PRODUCT WILL SUITABLY MEET THE REQUIREMENTS OF THE PURCHASER'S INTENDED USE.

Purchaser's Remedy

Horizon's sole obligation and purchaser's sole and exclusive remedy shall be that Horizon will, at its option, either (i) service, or (ii) replace, any Product determined by Horizon to be defective. Horizon reserves the right to inspect any and all Product(s) involved in a warranty claim. Service or replacement decisions are at the sole discretion of Horizon. Proof of purchase is required for all warranty claims. SERVICE OR REPLACEMENT AS PROVIDED UNDER THIS WARRANTY IS THE PURCHASER'S SOLE AND EXCLUSIVE REMEDY.

Limitation of Liability

HORIZON SHALL NOT BE LIABLE FOR SPECIAL, INDIRECT, INCIDENTAL OR CONSEQUENTIAL DAMAGES, LOSS OF PROFITS OR PRODUCTION OR COMMERCIAL LOSS IN ANY WAY, REGARDLESS OF WHETHER SUCH CLAIM IS BASED IN CONTRACT, WARRANTY, TORT, NEGLIGENCE, STRICT LIABILITY OR ANY OTHER THEORY OF LIABILITY, EVEN IF HORIZON HAS BEEN ADVISED OF THE POSSIBILITY OF SUCH DAMAGES. Further, in no event shall the liability of Horizon exceed the individual price of the Product on which liability is asserted. As Horizon has no control over use, setup, final assembly, modification or misuse, no liability shall be assumed nor accepted for any resulting damage or injury. By the act of use, setup or assembly, the user accepts all resulting liability. If you as the purchaser or user are not prepared to accept the liability associated with the use of the Product, purchaser is advised to return the Product immediately in new and unused condition to the place of purchase.

Law

These terms are governed by Illinois law (without regard to conflict of law principals). This warranty gives you specific legal rights, and you may also have other rights which vary from state to state. Horizon reserves the right to change or modify this warranty at any time without notice.

WARRANTY SERVICES

Questions, Assistance, and Services

Your local hobby store and/or place of purchase cannot provide warranty support or service. Once assembly, setup or use of the Product has been started, you must contact your local distributor or Horizon directly. This will enable Horizon

to better answer your questions and service you in the event that you may need any assistance. For questions or assistance, please visit our website at www.horizonhobby.com, submit a Product Support Inquiry, or call 877.504.0233 toll free to speak to a Product Support representative.

Inspection or Services

If this Product needs to be inspected or serviced and is compliant in the country you live and use the Product in, please use the Horizon Online Service Request submission process found on our website or call Horizon to obtain a Return Merchandise Authorization (RMA) number. Pack the Product securely using a shipping carton. Please note that original boxes may be included, but are not designed to withstand the rigors of shipping without additional protection. Ship via a carrier that provides tracking and insurance for lost or damaged parcels, as Horizon is not responsible for merchandise until it arrives and is accepted at our facility. An Online Service Request is available at Horizon Hobby Service Center. If you do not have internet access, please contact Horizon Product Support to obtain a RMA number along with instructions for submitting your product for service. When calling Horizon, you will be asked to provide your complete name, street address, email address and phone number where you can be reached during business hours. When sending product into Horizon, please include your RMA number, a list of the included items, and a brief summary of the problem. A copy of your original sales receipt must be included for warranty consideration. Be sure your name, address, and RMA number are clearly written on the outside of the shipping carton.

Notice: Do not ship LiPo batteries to Horizon. If you have any issue with a LiPo battery, please contact the appropriate Horizon Product Support office.

Warranty Requirements

For Warranty consideration, you must include your original sales receipt verifying the proof-of-purchase date. Provided warranty conditions have been met, your Product will be serviced or replaced free of charge. Service or replacement decisions are at the sole discretion of Horizon.

Non-Warranty Service

Should your service not be covered by warranty service will be completed and payment will be required without notification or estimate of the expense unless the expense exceeds 50% of the retail purchase cost.

By submitting the item for service you are agreeing to payment of the service without notification. Service estimates are available upon request. You must include this request with your item submitted for service. Non-warranty service estimates will be billed a minimum of ½ hour of labor. In addition you will be billed for return freight. Horizon accepts money orders and cashier's checks, as well as Visa, MasterCard, American Express, and Discover cards. By submitting any item to Horizon for service, you are agreeing to Horizon's Terms and Conditions found on our website Horizon Hobby Service Center.

NOTICE: Horizon service is limited to Product compliant in the country of use and ownership. If non-compliant product is received by Horizon for service, it will be returned unserviced at the sole expense of the purchaser.

Warranty and Service Contact Information

Country of Purchase	Horizon Hobby	Address	Phone Number/Email Address
United States of America	Horizon Service Center (Electronics and engines)	4105 Fieldstone Rd Champaign, Illinois 61822 USA	877-504-0233 Online Repair Request: visit www.horizonhobby.com/service
	Horizon Product Support (All other products)	4105 Fieldstone Rd Champaign, Illinois 61822 USA	877-504-0233 productsupport@horizonhobby.com
United Kingdom	Horizon Hobby Limited	Units 1-4 Ployters Rd Staple Tye Harlow, Essex CM18 7NS United Kingdom	+44 (0) 1279 641 097 sales@horizonhobby.co.uk
Germany	Horizon Technischer Service	Christian-Junge-Straße 1 25337 Elmshorn Germany	+49 (0) 4121 2655 100 service@horizonhobby.de
France	Horizon Hobby SAS	14 Rue Gustave Eiffel Zone d'Activité du Réveil Matin 91230 Montgeron	+33 (0) 1 60 47 44 70 infofrance@horizonhobby.com
China	Horizon Hobby – China	Room 506, No. 97 Changshou Rd. Shanghai, China 200060	+86 (021) 5180 9868 info@horizonhobby.com.cn

Customer Service Information

Country of Purchase	Horizon Hobby	Address	Phone Number/Email Address
United States of America	Sales	4105 Fieldstone Rd Champaign, Illinois 61822 USA	(800) 338-4639 sales@horizonhobby.com
United Kingdom	Horizon Hobby Limited	Units 1-4 Ployters Rd Staple Tye Harlow, Essex CM18 7NS United Kingdom	+44 (0) 1279 641 097 sales@horizonhobby.co.uk
Germany	Horizon Hobby GmbH	Christian-Junge-Straße 1 25337 Elmshorn Germany	+49 (0) 4121 2655 100 service@horizonhobby.de
France	Horizon Hobby SAS	14 Rue Gustave Eiffel Zone d'Activité du Réveil Matin 91230 Montgeron	+33 (0) 1 60 47 44 70 infofrance@horizonhobby.com
China	Horizon Hobby – China	Room 506, No. 97 Changshou Rd. Shanghai, China 200060	+86 (021) 5180 9868 info@horizonhobby.com.cn

FCC Information

This device complies with part 15 of the FCC rules. Operation is subject to the following two conditions: (1) This device may not cause harmful interference, and (2) this device must accept any interference received, including interference that may cause undesired operation.



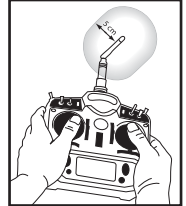
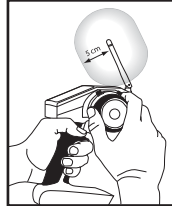
CAUTION: Changes or modifications not expressly approved by the party responsible for compliance could void the user's authority to operate the equipment.

This product contains a radio transmitter with wireless technology which has been tested and found to be compliant with the applicable regulations governing a radio transmitter in the 2.400GHz to 2.4835GHz frequency range.

Antenna Separation Distance

When operating your transmitter, please be sure to maintain a separation distance of at least 5 cm between your body (excluding fingers, hands, wrists, ankles and feet) and the antenna to meet RF exposure safety requirements as determined by FCC regulations.

These illustrations show the approximate 5 cm RF exposure area and typical hand placement when operating your transmitter.



Compliance Information for the European Union

AT	BE	BG	CZ	CY
DE	DK	ES	FI	GR
HU	IE	IT	LT	LU
LV	MT	NL	PL	PT
RO	SE	SI	SK	UK

Declaration of Conformity

(in accordance with ISO/IEC 17050-1)

No. HH2012081003

Product(s): Nano CP X RTF (Spektrum DX4e transmitter included)

Item Number(s): BLH3300

Equipment class: 2

The object of declaration described above is in conformity with the requirements of the specifications listed below, following the provisions of the European R&TTE directive 1999/5/EC, EMC Directive 2004/108/EC and LVD Directive 2006/95/EC:

EN 300-328 V1.7.1: 2006

EN 301 489-1 V1.7.1: 2006

EN 301 489-17 V1.3.2: 2008

EN 60950-1:2006+A12: 2011

EN55022: 2010

EN55024: 2010



Signed for and on behalf of:
Horizon Hobby, Inc.
Champaign, IL USA
Aug 10, 2012

Steven A. Hall
Executive VP – Chief Operating Officer
International Operations and Risk Management
Horizon Hobby, Inc.

Declaration of Conformity

(in accordance with ISO/IEC 17050-1)

No. HH2012081002

Product(s): Nano CP X BNF

Item Number(s): BLH3380

Equipment class: 1

The object of declaration described above is in conformity with the requirements of the specifications listed below, following the provisions of the European R&TTE directive 1999/5/EC, EMC Directive 2004/108/EC and LVD Directive 2006/95/EC:

EN 301 489-1 V1.7.1: 2006

EN 301 489-17 V1.3.2: 2008

EN 60950-1:2006+A12: 2011

EN55022: 2010

EN55024: 2010



Signed for and on behalf of:
Horizon Hobby, Inc.
Champaign, IL USA
Aug 10, 2012

A handwritten signature in black ink, appearing to read 'S A Hall'.

Steven A. Hall
Executive VP – Chief Operating Officer
International Operations and Risk Management
Horizon Hobby, Inc.

Instructions for disposal of WEEE by users in the European Union



This product must not be disposed of with other waste. Instead, it is the user's responsibility to dispose of their waste equipment by handing it over to a designated collections point for the recycling of waste electrical and electronic equipment. The separate collection and recycling of your waste equipment at the time of disposal will help to conserve natural resources and make sure that it is recycled in a manner that protects human health and the environment. For more information about where you can drop off your waste equipment for recycling, please contact your local city office, your household waste disposal service or where you purchased the product.

HINWEIS

Alle Anweisungen, Garantien und anderen zugehörigen Dokumente können im eigenen Ermessen von Horizon Hobby, Inc. jederzeit geändert werden.

Die aktuelle Produktliteratur finden Sie auf horizonhobby.com unter der Registerkarte „Support“ für das betreffende Produkt.

Spezielle Bedeutungen

Die folgenden Begriffe werden in der gesamten Produktliteratur verwendet, um auf unterschiedlich hohe Gefahrenrisiken beim Betrieb dieses Produkts hinzuweisen:

HINWEIS: Wenn diese Verfahren nicht korrekt befolgt werden, können sich möglicherweise Sachschäden UND geringe oder keine Gefahr von Verletzungen ergeben.

ACHTUNG: Wenn diese Verfahren nicht korrekt befolgt werden, ergeben sich wahrscheinlich Sachschäden UND die Gefahr von schweren Verletzungen.

WARNUNG: Wenn diese Verfahren nicht korrekt befolgt werden, ergeben sich wahrscheinlich Sachschäden, Kol-lateralschäden und schwere Verletzungen ODER mit hoher Wahrscheinlichkeit oberflächliche Verletzungen.



WARNUNG: Lesen Sie die GESAMTE Bedienungsanleitung, um sich vor dem Betrieb mit den Produk-tfunktionen vertraut zu machen. Wird das Produkt nicht korrekt betrieben, kann dies zu Schäden am Produkt oder persönlichem Eigentum führen oder schwere Verletzungen verursachen.

Dies ist ein hochentwickeltes Hobby-Produkt. Es muss mit Vorsicht und gesundem Menschenverstand betrieben werden und benötigt gewisse mechanische Grundfähigkeiten. Wird dieses Produkt nicht auf eine sichere und verantwortungsvolle Weise betrieben, kann dies zu Verletzungen oder Schäden am Produkt oder anderen Sachwerten führen. Dieses Produkt eignet sich nicht für die Verwendung durch Kinder ohne direkte Überwa-chung eines Erwachsenen. Versuchen Sie nicht ohne Genehmigung durch Horizon Hobby, Inc., das Produkt zu zerlegen, es mit inkompatiblen Komponenten zu verwenden oder auf jegliche Weise zu erweitern. Diese Bedienungsanleitung enthält Anweisungen für Sicherheit, Betrieb und Wartung. Es ist unbedingt notwendig, vor Zusammenbau, Einrichtung oder Verwendung alle Anweisungen und Warnhinweise im Handbuch zu lesen und zu befolgen, damit es bestimmungsgemäß betrieben werden kann und Schäden oder schwere Verletzungen vermieden werden.

Altersempfehlung: Nicht für Kinder unter 14 Jahren. Dies ist kein Spielzeug.

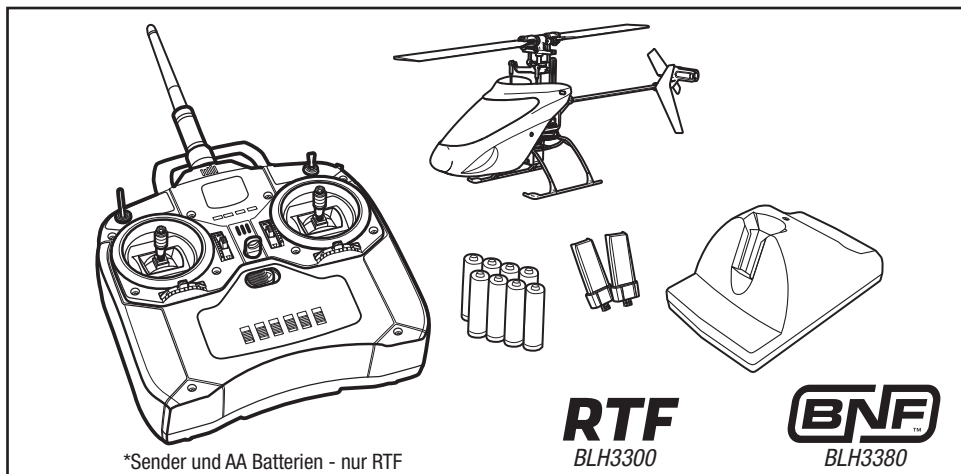
Sicherheitsvorkehrungen und Warnhinweise

- Halten Sie stets in allen Richtungen einen Sicherheitsabstand um Ihr Modell, um Zusammenstöße oder Verletzungen zu vermeiden. Dieses Modell wird von einem Funksignal gesteuert, das Interferenzen von vielen Quellen außerhalb Ihres Einflussbereiches unterliegt. Diese Interferenzen können einen augen-blicklichen Steuerungsverlust verursachen.
- Betreiben Sie Ihr Modell immer auf einer Freifläche ohne Fahrzeuge in voller Größe, Verkehr oder Men-schen.
- Befolgen Sie stets sorgfältig die Anweisungen und Warnhinweise für das Modell und jegliche optionalen Hilfsgeräte (Ladegeräte, Akkupacks usw.).
- Bewahren Sie alle Chemikalien, Klein- und Elektro-teile stets außerhalb der Reichweite von Kindern auf.
- Setzen Sie Geräte, die für diesen Zweck nicht speziell ausgelegt und geschützt sind, niemals Wasser aus. Feuchtigkeit kann die Elektronik beschädigen.
- Stecken Sie keinen Teil des Modells in den Mund, da dies zu schweren Verletzungen oder sogar zum Tod führen kann.
- Betreiben Sie Ihr Modell nie mit fast leeren Sender-akkus.
- Halten Sie das Fluggerät immer in Sicht und unter Kontrolle.
- Stellen Sie bei Rotorblattberührung sofort das Gas aus (Throttle Hold).
- Verwenden Sie immer vollständig geladene Akkus.
- Lassen Sie immer den Sender eingeschaltet wenn das Fluggerät eingeschaltet ist.
- Nehmen Sie vor der Demontage des Fluggerätes die Akkus heraus.
- Halten Sie bewegliche Teile immer sauber.
- Halten Sie die Teile immer trocken.
- Lassen Sie Teile immer erst abkühlen bevor Sie sie anfassen.
- Nehmen Sie die Akkus / Batterien nach Gebrauch heraus.
- Betreiben Sie Ihr Fluggerät niemals mit beschädigter Verkabelung.
- Fassen Sie niemals bewegte Teile an.

Einleitung

Wie Sie gleich erleben werden, ist das Ultra Micro Flugvergnügen des *Blade Nano CP X* mit nichts zu vergleichen. Die Agilität seines fortschrittlichen *AS3X* (Artificial Stabilization – 3-axis) Flybarless Systems und der ultraleichte Rumpf stellen alles andere dieser Größe in den Schatten. Rückenflug, Loopings, Flips, Rolls, Funnels, Hurricanes – der Nano CP X rockt alles!

Als Umsteiger von einem Basis CCPM oder fixed Pitch Hubschrauber ist der Nano CP X eine exzellente Möglichkeit einen Aerobatik CCPM Hubschrauber zu fliegen, ohne große Summen in die Ausrüstung oder Reparaturen zu investieren. Das *AS3X* Flybarless System des *Blade Nano CP X* bietet eine perfekte Kombination von Agilität und Stabilität die es ihnen ermöglicht ihre Fähigkeiten sicher zu erweitern. Bevor Sie durchstarten nehmen Sie sich bitte die Zeit und lesen diese Bedienungsanleitung sorgfältig. Sie finden dort wichtige Informationen und nützliche Tipps, die Ihnen dabei helfen werden, dass Ihr erster Flug und jeder darauf folgende der beste wird.



Inhaltsverzeichnis

Akku-Warnhinweise	20	Einsetzen des Flugakkus	26
Laden des Flugakkus	20	Niederspannungsabschaltung (LVC).....	26
AS3X Flybarless Hubschrauber Technologie.....	21	Fliegen des Nano CP X.....	26
Vorbereitungen für den Erstflug.....	21	Hilfestellung zur Problemlösung	27
Checkliste zum Fliegen.....	21	Explosionszeichnung und Teileliste	28
Programmieren des Senders (nur für Computer Sender)....	21	Optionale Teile	29
Programmieren des Senders forts.....	22	Haftungsbeschränkung.....	30
Binden von Sender und Empfänger	23	Garantie und Service Kontaktinformationen.....	31
Verstehen der grundlegenden Flugsteuerung	24	Kundendienstinformationen	31
Gas aus (Throttle Hold)	25	Konformitätserklärung für die Europäische Union	32
Stunt Mode.....	25		

Blade Nano CP X Features	Ready To Fly	Bind-N-Fly
Rumpf – Blade Nano CP X	Inklusive	Inklusive
Haupt – und Heckbürstenmotor	Eingebaut	Eingebaut
On-board Elektronik – Flybarless 3-in-1 Einheit, Empfänger/ Regler/ Kreisel	Eingebaut	Eingebaut
Akku – 150mAh 1S 3,7V 25C LiPo Akku	Inklusive	Inklusive
Ladegerät – 1S 3,7V 0,3A DC LiPo Ladegerät	Inklusive	Inklusive
Sender – erfordert einen DSM2 /DSMX kompatiblen Sender	Inklusive DX4e	Separat erhältlich
Sender Batterien – 4 x AA Typ	Inklusive	Separat erhältlich

Blade Nano CP X Spezifikationen	
Länge	197 mm
Höhe	79 mm
Fluggewicht	29 g
Hauptrotordurchmesser	197 mm
Heckrotordurchmesser	40 mm

Sie können Ihr Produkt online unter www.bladehelis.com registrieren.

Akku-Warnhinweise

Das im Lieferumfang befindliche Ladegerät (EFLC1000) wurde zum sicheren Aufladen des LiPo Akkus entwickelt.

ACHTUNG: Alle Anweisungen und Warnungen müssen exakt befolgt werden. Falscher Umgang mit LiPo Akkus kann zu Feuer, Körperverletzung und/oder Sachbeschädigung führen.

- Durch Handhaben, Aufladen oder Verwenden des inbegriffenen Li-Po-Akkus übernehmen Sie alle mit Lithiumakkus verbundenen Risiken.
- Sollte der Akku beim Laden oder im Flug beginnen, sich auszudehnen oder anzuschwellen stoppen Sie den Ladevorgang oder den Flug unverzüglich. Wird mit dem Aufladen oder Entladen eines Akkus fortgefahren, der sich auszudehnen oder anzuschwellen begonnen hat, kann dieses zu einem Brand führen.
- Um beste Ergebnisse zu erzielen, lagern Sie den Akku bei Raumtemperatur an einem trockenen Ort.
- Beim Transport oder vorübergehenden Lagern des Akkus sollte der Temperaturbereich zwischen 5° C und 49° C liegen. Bewahren Sie den Akku bzw. das Modell nicht im Auto oder unter direkter Sonneneinstrahlung auf. Bei Aufbewahrung in einem heißen Auto, kann der Akku beschädigt werden oder sogar Feuer fangen.
- Laden Sie immer Li Po Akku weit weg entfernt von brennbaren Materialien.

WARNUNG: Für einen optionalen AC Netzbetrieb verwenden Sie mit diesem Ladegerät nur das E-flite 6 Volt Netzgerät. Verwenden Sie NICHT ein 12 Volt Netzgerät, da sonst die Gefahr von Personen- oder Sachschäden besteht.

Laden des Flugakkus

E-flite 1S 3,7 V 0,3A LiPo Ladegerät (EFLC1000)

Anweisungen:

1. Laden Sie nur Akkus, die sich kühl anfühlen und nicht beschädigt sind. Sehen Sie sich den Akku an, um sicherzustellen, dass er nicht beschädigt ist, z. B. angeschwollen oder verbogen ist oder Risse oder Löcher aufweist.
2. Nehmen Sie den Deckel von der Unterseite des Ladegeräts, und legen Sie vier der mitgelieferten AA-Batterien unter Beachtung der richtigen Polarität ein. Schließen Sie den Deckel wieder, wenn die AA-Akkus eingelegt.
3. Schieben Sie den Akku in das Fach im Ladegerät. Die Endkappe des Akkus ist so ausgelegt, dass der Akku nur in einer Richtung (in der Regel mit dem Akkuetikett nach außen) in das Fach passt; damit wird eine falsche Polung der Anschlüsse vermieden. Prüfen Sie trotzdem, ob Ausrichtung und Polarität korrekt sind, bevor Sie mit dem nächsten Schritt fortfahren.
4. Drücken Sie den Akku und seinen Anschluss vorsichtig in die Ladebuchse unten im Ladegerätfach.
5. Ist der Akku korrekt eingesetzt, leuchtet die LED auf dem Ladegerät kontinuierlich rot, was anzeigt, dass der Ladevorgang begonnen hat.

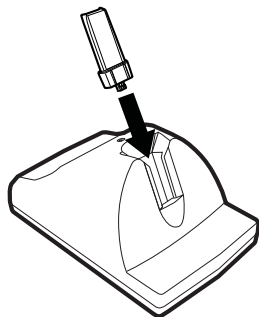
ACHTUNG: Versuchen Sie NIEMALS das Ladegerät am Netz (AC) zu betreiben ohne den Einsatz eines geeigneten AC zu DC Adapters / Netzgerät.

WARNUNG: Für einen optionalen AC Netzbetrieb verwenden Sie mit diesem Ladegerät nur das E-flite 6 V Netzgerät. Verwenden Sie NICHT ein 12 Volt Netzgerät, da sonst die Gefahr von Personen- oder Sachschäden besteht.

- Überprüfen Sie immer den Akku vor dem Laden und laden Sie niemals defekte oder beschädigte Akkus.
- Trennen Sie immer den Akku nach dem Laden und lassen das Ladegerät abkühlen.
- Verwenden Sie ausschließlich ein Ladegerät das speziell für das Laden von LiPo Akku geeignet ist. Das Laden mit einem nicht geeignetem Ladegerät kann Feuer und/oder Sachbeschädigung zur Folge haben.
- VERWENDEN SIE NUR EIN SPEZIELL GEEIGNETES LI-PO LADEGERÄT UM LI-PO AKKUS ZU LADEN. Laden Sie den Akku mit einem nicht geeigneten Ladegerät kann dieses zu Feuer, Personen- und Sachschäden führen.
- Entladen Sie niemals ein LiPo Akku unter 3V pro Zelle unter Last.
- Verdecken Sie niemals Warnhinweise mit Klebband.
- Lassen Sie niemals Akkus während des Ladens unbeaufsichtigt.
- Laden Sie niemals beschädigte Akkus.
- Versuchen Sie nicht das Ladegerät zu demontieren oder zu verändern.
- Lassen Sie niemals Minderjährige Akkus laden.
- Laden Sie niemals Akkus an extrem kalten oder heißen Plätzen (empfohlener Temperaturbereich 5 - 49° C) oder im direkten Sonnenlicht.

6. Das Aufladen eines vollständig entladenen (nicht tiefentladenen) 150 mAh-Akkus dauert ungefähr 20 bis 30 Minuten. Wenn der Akku fast vollständig aufgeladen ist, beginnt die LED zu blinken.
7. Wenn der Akku vollständig aufgeladen ist, blinkt die LED ungefähr alle 20 Sekunden und schaltet sich ganz aus. Wenn die LED weiter leuchtet, wenn der Akku entnommen wird, sind die AA-Batterien im Ladegerät erschöpft.
8. Entnehmen Sie den Akku stets sofort nach Abschluss des Ladevorgangs aus dem Ladegerät.

HINWEIS: Verwenden Sie nur das im Lieferumfang befindliche Ladegerät. Für den DC Betrieb mit Batterien: Verwenden Sie nur AA Alkaline Batterien für das Ladegerät. Verwenden Sie keine aufladbaren AA Akkus.



AS3X Flybarless Hubschrauber Technologie

Der Blade Nano CP X umfasst die AS3X-Bordtechnologie ohne Paddelstange, die zuerst für den Blade Nano CP X entworfen wurde. Die AS3X-Technologie kombiniert 3-Achsen-Kreiselstabilisierung mit einem neuen FP-Rotorkopf ohne Paddelstange, was geringeren Luftwiderstand, weniger Bauteile und höhere Leistung ermöglicht.

Die AS3X-Technologie verbessert auch die Kurshaltung, die Stabilität und die zyklische Reaktion für erfahrenere Piloten. Das AS3X-System ohne Paddelstange ist jedoch keine Flughilfe für Anfänger.

Vorbereitungen für den Erstflug

- Entnehmen Sie den Packungsinhalt und überprüfen Sie ihn auf etwaige Beschädigungen
- Laden Sie den Flugakku
- Legen Sie vier AA-Batterien in den Sender ein (NUR RTF)
- Setzen Sie den Flugakku ein
- Programmieren Sie Ihren Sender (nur BNF Version)
- Testen Sie die Kontrollen
- Machen Sie sich mit der Steuerung vertraut
- Suchen Sie sich einen geeigneten Platz zum Fliegen

Checkliste zum Fliegen

- Schalten Sie immer zuerst den Sender ein
- Schließen Sie den Flugakku an das Kabel des 3-in-1-Steuergeräts an
- Lassen Sie das 3-in-1-Steuergerät ordnungsgemäß initialisieren und scharfschalten
- Fliegen Sie das Modell
- Landen Sie das Modell
- Trennen Sie den Flugakku vom 3-in-1-Steuergerät
- Schalten Sie den Sender immer zuletzt aus

BNF
BIND-N-FLY™

Programmieren des Senders (nur für Computer Sender)

Bitte programmieren Sie ihren Sender bevor Sie ihn an den Hubschrauber binden und fliegen. Sollten die Gas und Pitch Werte nicht korrekt eingestellt sein, wird der Hubschrauber nicht reagieren. Die Werte die Sie für die Programmierung der Spektrum DX6i, DX7, DX7s, DX8, und DX18 benötigen finden sich unten. Für die DX8 ist ebenfalls ein Download auf der *Spektrum* DX7s, DX8, und DX18 Community Seite verfügbar.

HINWEIS: Wenn Sie einen Futaba-Sender mit einem Spektrum DSM-Modul verwenden, müssen Sie den Gaskanal reversieren (umkehren) und danach das System neu binden. Lesen Sie bitte für den Bindevorgang und programmieren der Failsafeeinstellungen die Bedienungsanleitung des Spektrum Modules. Zum reversieren des Gaskanals lesen Sie bitte in der Anleitung des Futaba Senders nach.

DX6i

SYSTEMEINSTELLUNG	FUNKTIONSLISTE									
Modelltyp	D/R & Expo				Gaskurve					
HELI	0-AILE	100%	30%		NORM	0%	40%	60%	80%	100%
	0-ELEV	100%	30%		STUNT	100%	100%	100%	100%	100%
Umkehr	0-RUDD	100%	INH		HOLD	10%	10%	10%	10%	10%
THRO-N	1-AILE	85%	30%							
AILE-N	1-ELEV	85%	30%		Pitchkurve					
ELEV-N	1-RUDD	85%	INH		NORM	30%	40%	50%	75%	100%
RUDD-N					STUNT	0%	25%	50%	75%	100%
GYRO-N	Weg				HOLD	0%	25%	50%	75%	100%
PITC-R	THRO	100%								
	AILE	100%								
Taumelscheibentyp	ELEV	100%								
1 Servo 90	RUDD	100%								
	GYRO	100%								
Uhr	PITC	75%								
4:00	Basic Flying									
3:00	Advanced Flying									

Programmieren des Senders forts.

DX7/DX7se

SYSTEMEINSTELLUNG		FUNKTIONSLISTE							
Modelltyp		D/R & EXP		Gaskurve					
HELI		EXP	D/R	NORM	0%	40%	60%	80%	100%
		0-AILE	30% 100%	ST-1	100%	INH	80%	INH%	100%
		0-ELEV	30% 100%	ST-2	100%	100%	100%	100%	100%
Taumelscheibentyp		0-RUDD	INH 100%	HOLD	0%	0%	0%	0%	0%
1 Servo 90		1-AILE	30% 85%	Pitchkurve					
		1-ELEV	30% 85%	NORM	30%	INH	50%	INH	100%
		1-RUDD	INH 85%	ST-1	0%	INH	50%	INH	100%
				ST-2	0%	INH	50%	INH	100%
		Weg		HOLD	0%	INH	50%	INH	100%
		THRO	100%						
		ELEV	100%	Umkehr					Uhr
		GYRO	100%	THRO	N	RUDD	N	4:00	Basic Flying
		AILE	100%	AILE	N	GEAR	N	3:00	Advanced Flying
		RUDD	100%	ELEV	N	PIT.	N		
		PITC	100%						

DX7s

SYSTEMEINSTELLUNG		FUNKTIONSLISTE							
Modelltyp		D/R & Expo		Gaskurve					
HELI		0-AILE	100% 30%	NORM	0%	40%	60%	80%	100%
		0-ELEV	100% 30%	ST-1	100%	90%	80%	90%	100%
Taumelscheibentyp		0-RUDD	100% 0%	HOLD	0%	0%	0%	0%	0%
1 Servo Normal		1-AILE	85% 30%	Pitchkurve					
		1-ELEV	85% 30%	NOR	30%	40%	50%	75%	100%
		1-RUDD	85% 0%	ST-1	0%	25%	50%	75%	100%
F-Mode Setup		2-AILE	85% 30%	HOLD	0%	25%	50%	75%	100%
Flugzustand: Flugz.		2-ELEV	85% 30%						
Halten: Aus		2-RUDD	85% 0%						
Pulsrate		SERVOEINSTELLUNG							
22ms		Weg		Umkehr		Uhr			
DSMX		THRO	100%	THRO	N	4:00	Basic Flying		
		AILE	100%	AILE	N	3:00	Advanced Flying		
		ELEV	100%	ELEV	N	MODE	Herunterzählen		
		RUDD	100%	RUDD	N	TIME	4:00 Ton/Vib		
		GEAR	100%	GEAR	N	START	Motorlaufzeit		
		PITC	100%	PIT.	N	POS	25		

DX8/DX18

SYSTEMEINSTELLUNG		FUNKTIONSLISTE							
Modelltyp		D/R & Expo		Gaskurve					
HELI		0-AILE	100% 30%	NORM	0%	40%	60%	80%	100%
		0-ELEV	100% 30%	ST-1	100%	90%	80%	90%	100%
Taumelscheibentyp		0-RUDD	100% 0%	ST-2	100%	100%	100%	100%	100%
1 Servo Normal		1-AILE	85% 30%	HOLD	0%	0%	0%	0%	0%
		1-ELEV	85% 30%	Pitchkurve					
		1-RUDD	85% 0%	NOR	30%	40%	50%	75%	100%
F-Mode Setup		2-AILE	85% 30%	ST-1	0%	25%	50%	75%	100%
Flugzustand: Flugz.		2-ELEV	85% 30%	ST-2	0%	25%	50%	75%	100%
Halten: Aus		2-RUDD	85% 0%	HOLD	0%	25%	50%	75%	100%
Pulsrate		SERVOEINSTELLUNG							
22ms		Weg		Umkehr		Uhr			
DSMX		THRO	100%	THRO	N	4:00	Basic Flying		
		AILE	100%	AILE	N	3:00	Advanced Flying		
		ELEV	100%	ELEV	N	MODE	Herunterzählen		
		RUDD	100%	RUDD	N	TIME	4:00 Ton/Vib		
		GEAR	100%	GEAR	N	START	Motorlaufzeit		
		PITC	100%	PIT.	N	POS	25		

Binden von Sender und Empfänger

Wenn Sie ein RTF Modell gekauft haben ist der Sender ab Werk mit dem Empfänger gebunden. Um den Nano CP X an Ihren Sender neu oder erneut zu binden, folgen Sie bitte diesen Anweisungen:

Binden ist der Prozess der Übermittlung des Senderspezifischen Signals (GUID) (Globally Unique Identifier) an den Empfänger. Für den Betrieb muß ein Empfänger an den gewählten *Spektrum DSM2/DSMX* Sender/ Modul gebunden werden.

HINWEIS: Bitte nutzen Sie die Bindeanweisungen unter den Anweisungen für die Computersender wenn Sie mit einem DX4e oder DX5e Sender den Nano CP X BNF fliegen möchten.

✓ Beschreibung des Bindeprozess für Computer Sender:

1.	Trennen Sie den Flugakku vom Helikopter.
2.	Schalten Sie den Sender aus und bringen alle Schalter in die 0 Position.
3.	Schließen Sie den Akku an das 3 – 1 Kontrollboard an. Das 3 – in 1 Kontrollboard blinkt nach 5 Sekunden.
4.	Drücken Sie den Bind Schalter oder Knopf während Sie den Sender einschalten.
5.	Lassen Sie den Trainer Schalter los nach 2–3 Sekunden.
6.	Bewegen Sie den Seitenruderknüppel ganz nach rechts. Halten Sie weiterhin den Seitenruderknüppel ganz nach rechts gedrückt, bis die blaue LED dauerhaft leuchtet.
7.	Lassen Sie den Seitenruderknüppel los.
8.	Trennen Sie den Flugakku vom 3 in 1 Kontrollboard und schalten den Sender aus.

HINWEIS: Der Regler wird sich nicht armerien, wenn der Gaskanal nicht in die unterste Stellung gebracht wird und der Stunt Mode Schalter nicht in die Position 0 geschaltet ist.

Sollten Probleme auftreten folgen Sie bitte den Bindeanweisungen und sehen in der Hilfestellung zur Problemlösung nach. Bitte kontaktieren Sie falls notwendig den technischen Service von Horizon Hobby.

Eine vollständige Liste der kompatiblen Sender finden Sie auf www.bindnfly.com.

✓ Beschreibung des Bindeprozess for Nichtcomputer Sender (DX4e, DX5e)

1.	Trennen Sie den Flugakku vom Helikopter.
2.	Schalten Sie den Sender aus und bringen alle Schalter in die 0 Position.
3.	Schließen Sie den Akku an das 3 – 1 Kontrollboard an. Das 3 – in 1 Kontrollboard blinkt nach 5 Sekunden.
4.	Drücken Sie den Trainer Schalter oder Knopf während Sie den Sender einschalten.
5.	Bewegen Sie den Seitenruderknüppel ganz nach links nachdem die Sender LED zwei Mal geblinkt hat.
6.	Lassen Sie den Trainer Schalter los. Halten Sie weiterhin den Seitenruderknüppel ganz nach links gedrückt, bis die blaue LED dauerhaft leuchtet.
7.	Lassen Sie den Seitenruderknüppel los.
8.	Drücken Sie den Trainerschalter ein. Die blaue LED auf dem 3 in 1 Kontrollboard blinkt um zu bestätigen der Hubschrauber ist im Nicht Computer Mode.
9.	Trennen Sie den Flugakku vom 3 in 1 Kontrollboard und schalten den Sender aus.

HINWEIS: Sollte sich die Taumelscheibe bei dem Schalten des Trainerschalters rauf und runter bewegen ist der Hubschrauber im Computer Sender Mode. Wiederholen Sie dann den Bindevorgang.

Verstehen der grundlegenden Flugsteuerung

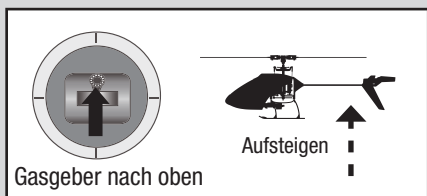
Wenn Ihnen die Steuerung Ihres Nano CP X noch nicht geläufig ist, nehmen Sie sich bitte ein paar Minuten Zeit, um sich mit ihr vertraut zu machen, bevor Sie Ihren ersten Flug versuchen.

Gasgeber (ansicht von der Seite)

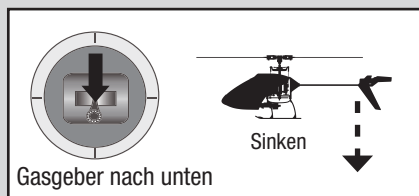
Mode 1



Mode 2



Gasgeber nach oben



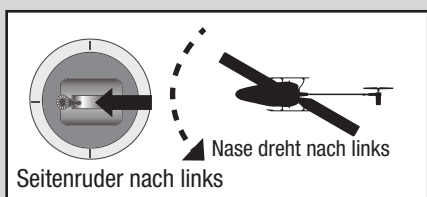
Gasgeber nach unten

Seitenruder (ansicht von oben)

Mode 1



Mode 2



Seitenruder nach links



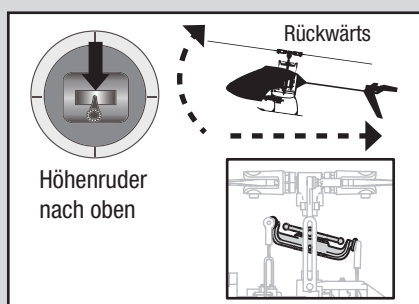
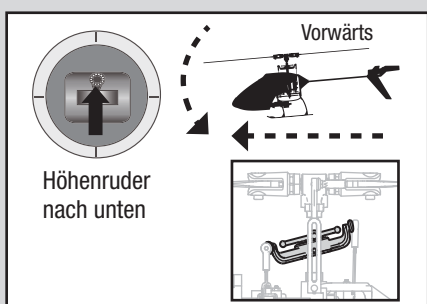
Seitenruder nach rechts

Höhenruder (ansicht von der Seite)

Mode 1



Mode 2

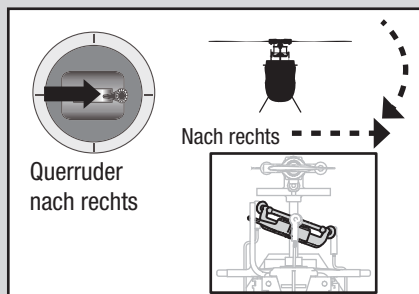
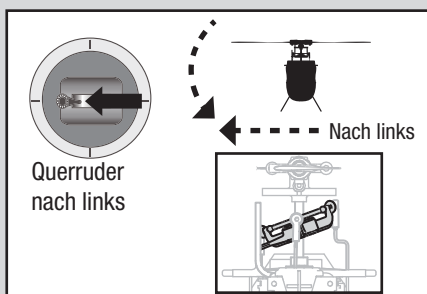


Querruder (ansicht von hinten)

Mode 1

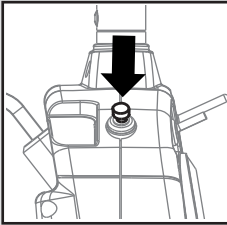


Mode 2



Gas aus (Throttle Hold)

Mit der Throttle Hold / Motor AUS Funktion kann der Motor des Hubschraubers abgeschaltet werden, wenn die Gefahr eines Kontrollverlustes oder eines Absturzes besteht. Der Schaden am Hubschrauber wird dadurch wahrscheinlich kleiner. Die Throttle Hold Funktion stoppt den Motor im Normal oder Stunt Mode.

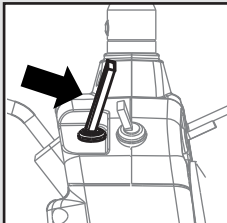
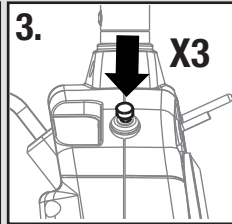
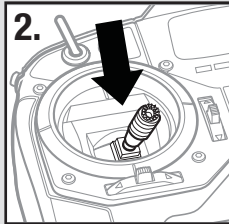
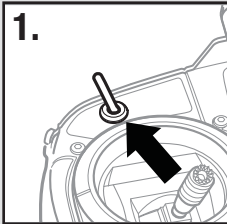


Throttle Hold EIN (DX4e)

Drücken Sie den Trainer Schalter jederzeit um Throttle Hold / Motor AUS zu aktivieren wenn der Flugakku angeschlossen ist. Die blaue LED blinkt und zeigt damit an die Throttle Hold Funktion aktiv ist.

Throttle Hold AUS (DX4e)

1. Stellen Sie sicher, dass der AUX Schalter in der OFF/AUS Position steht.
2. Bringen Sie den Gasstick in die unterste Position.
3. Drücken Sie den Trainer Knopf drei Mal innerhalb von drei Sekunden. Die blaue LED leuchtet dann konstant.

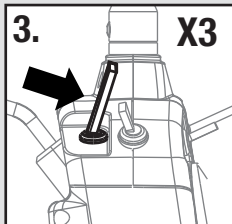
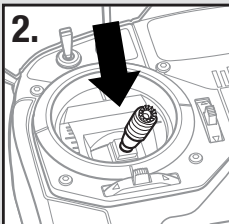
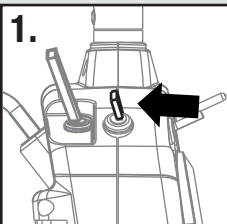


Throttle Hold EIN (DX5e)

Drücken Sie den Trainerschalter nachdem der Hubschrauber an den Sender gebunden wurde, jederzeit wenn Sie die Throttle Hold Funktion aktivieren wollen. Die blaue LED blinkt dann und zeigt damit die aktivierte Throttle Hold Funktion an.

Throttle Hold AUS (DX5e)

1. Bitte stellen Sie sicher, dass der GEAR Schalter in der 0 Position ist.
2. Bringen Sie den Gasstick in die niedrigste Position.
3. Ziehen Sie den Trainer Schalter drei Mal innerhalb von drei Sekunden. Die blaue LED leuchtet dann konstant.



Stunt Mode

Im Stunt Mode ist der Hubschrauber Kunst- und Rückenflug fähig. In diesem Mode läuft der Motor unabhängig von der Gasstick Position. Schalten Sie den Stunt Mode aus um den Motor wieder mit dem Gas/ Pitch Stick zu kontrollieren. Um den Stunt Mode zu aktivieren, nutzen Sie bei der DX4e den AUX/ACT Schalter und bei der DX5e den Gear Schalter.

DX4e – AUX/ACT AUS – Normal Mode

AUX/ACT EIN – Stunt Mode

DX5e – Ch 5 (0) – Normal Mode

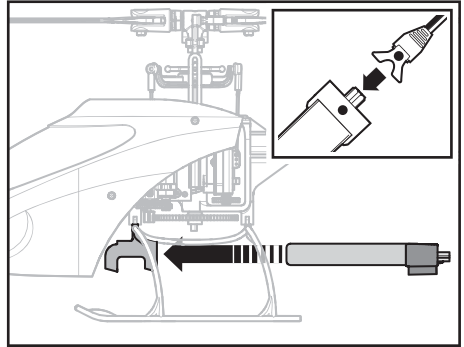
DX5e – Ch 5 (1) – Stunt Mode

Einsetzen des Flugakkus

1. Bringen Sie den Gasstick und die Trimmung ganz nach unten (niedrigste Leerlaufposition)
2. Schalten Sie den Sender ein.
3. Setzen Sie den Flugakku in den Akkuhalter ein.
Verbinden Sie das Akkuanschlußkabel mit dem Kabel des 3 - 1 Kontrollboards.

HINWEIS: Der Hubschrauber darf sich nicht bewegen, bis die LED auf dem 3- in 1 Kontrollboard konstant leuchtet.

HINWEIS: Trennen Sie nach dem Fliegen immer den LiPo Akku vom 3 – in 1 Kontrollboard. Tun Sie dieses nicht wird der Akku unbrauchbar.



Niederspannungsabschaltung (LVC)

Die Niederspannungsabschaltung (LVC) schützt den Akku vor Tiefentladung und wird aktiviert wenn der Akku 3 Volt pro Zelle unter Last erreicht hat. Stellen Sie die Stopuhr ihres Senders auf 4 Minuten ein und landen wenn die Zeit um ist.

Richtlinien und Sicherheitsvorkehrungen zur Niederspannungsabschaltung (LVC)

- Wiederholtes aktivierender Niederspannungsabschaltung beschädigt den Akku und Sie müssen ihn ersetzen.
- Trennen Sie nach dem Flug immer den Flugakku von der Flybarlesseinheit. Trennen Sie den Akku nicht wird der Akku tiefentladen und kann in Zukunft nicht mehr geladen werden.
- Die Niederspannungsabschaltung schützt den Akku nicht während der Lagerung.
- Die Garantie deckt keine Absturz-oder Akkuschäden.

Fliegen des Nano CP X

Bitte beachten Sie lokale Gesetze und Verordnungen bevor Sie sich einen Platz zum fliegen suchen. Wählen Sie bitte eine große Fläche, weg von Menschen und Objekten. Der Blade Nano CP X Hubschrauber kann bei wenig Wind draussen oder Indoor in einer Sporthalle geflogen werden.



ACHTUNG: Bitte nehmen Sie sich vor dem Erstflug Zeit um sich mit den Kontrollen des Blade Nano CP X vertraut zu machen. Der Blade Nano CP X ist deutlicher agiler als andere Blade Hubschrauber wie zum Beispiel der Blade mSR. Suchen Sie bitte die Unterstützung eines erfahrenen Piloten, sollten Sie vorher noch keinen Pitchgesteuerten Hubschrauber geflogen haben.

Start

Erhöhen Sie schrittweise das Gas und geben damit dem Hubschrauber Zeit die Rotorkopfgeschwindigkeit zu erhöhen.

HINWEIS: Steuern Sie vor dem Start keine Roll-, Nick- oder Seitenrunderkommandos da der Hubschrauber sonst abstürzen könnte.

Fliegen

Hat der Rotorkopf eine ausreichende Drehzahl erreicht und Sie geben etwas Pitch wird der Hubschrauber abheben. Gehen Sie zur Überprüfung der Steuerfunktionen in einen niedrigen Schwebeflug.

Piloten die vorher noch keinen Pitch-gesteuerten Hubschrauber geflogen haben, sollten sich mit dem Nano CP X im Normal Mode und kleinen Dual Rate Einstellungen vertraut machen.

Haben Sie sich mit den Reaktionen des Hubschraubers vertraut gemacht, können Sie die Stellerraten (Dual Rates), Expo, Pitch und Gaskurven zu ihrem bevorzugten Flugstil einstellen.

HINWEIS: Fliegen Sie den Hubschrauber immer mit den Rücken zur Sonne um einen Kontrollverlust zu vermeiden.

Landen

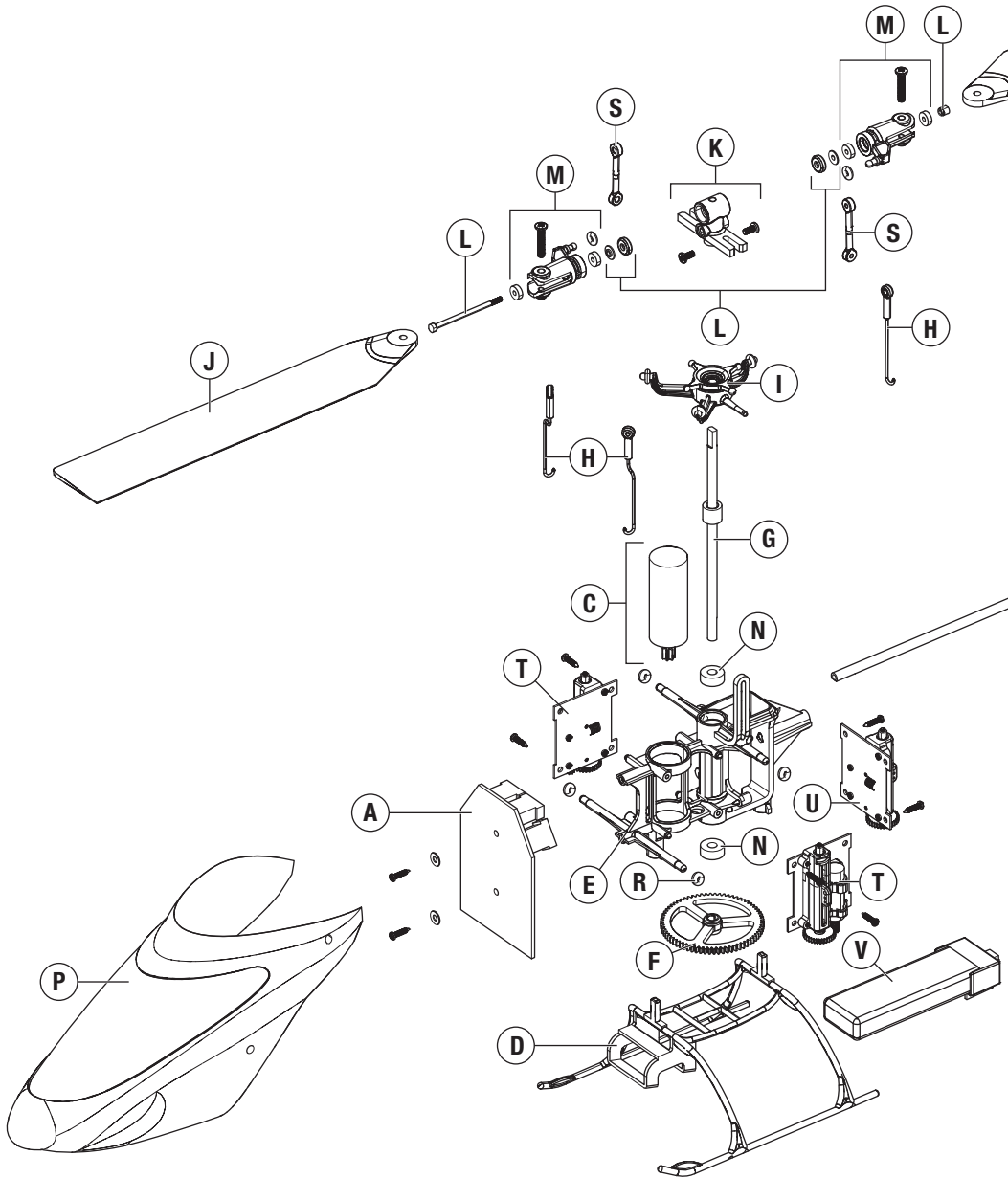
Gehen Sie in einen tiefen Schwebeflug. Verringern Sie langsam das Gas bis der Hubschrauber landet. Steuern Sie nur vorsichtige Korrekturen während dieser Zeit um Rotorblattberührungen oder andere Schäden zu vermeiden.

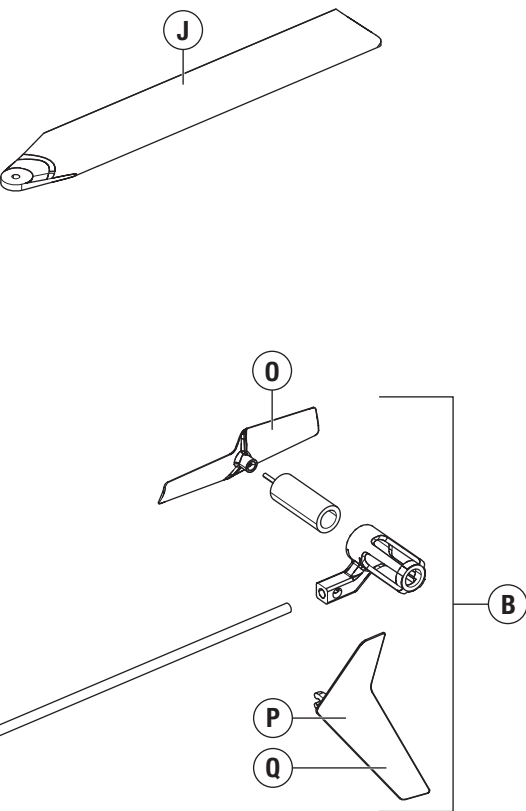
HINWEIS: Um Schäden zu minimieren aktivieren Sie immer vor oder während eines Crash Throttle Hold (Gas Aus).

Hilfestellung zur Problemlösung

Problem	Mögliche Ursache	Lösung
Der Hubschrauber initialisiert sich nicht	Gas steht auf Voll	Bringen Sie den Gasstick und Trimmung auf Neutral oder niedrigste Position
	Schalter nicht in Normal Position	Schalten Sie den Flight Mode auf OFF/0 und beenden die Throttle Hold Funktion
	Pitch oder Gasservo Umkehr ist falsch konfiguriert	Beenden Sie Servoumkehr und lesen unter Programmieren des Sender nach
Hubschrauberrotor läuft nicht an	Throttle Hold/Motor Aus Funktion ist aktiviert	Schalten HOLD aus mit Gas und Gastrimmung auf die niedrigste Stellung. <i>Lesen Sie dazu "Throttle Hold/Motor AUS".</i>
	Akkuspannung zu niedrig	Laden Sie den Akku komplett auf
Motor verliert während des Fluges an Leistung	Niederspannungsabschaltung des Empfängers ist aktiv	Laden oder Ersetzen Sie den Flugakku
Throttle Hold Funktion kann nicht ausgeschaltet werden	Stunt Mode ist aktiv	Stellen Sie den Flight Mode Schalter auf OFF/0 und beenden die Throttle Hold Funktion
	Gasstick ist nicht in niedriger Position	Bringen Sie den Gasstick auf Neutral oder niedrigste Position
Schaltet bei Rückenflug ab	Stunt Mode ist AUS	Bringen Sie vor dem Rückenflug den Stunt-modeschalter auf ON/1
Bindet nicht richtig an einen Nicht-Computer-Sender	Hubschrauber bindet sich anders an ein Nicht-Computer-Sender	Lassen Sie den Binde Knopf nach Eingabe von Ruder links los. Halten Sie nach Rudereingabe links den Bindebttom nicht gedrückt.
Schlechte Heckrotorwirkung	Heckausleger ist gebrochen	Heckausleger ersetzen
	Heckrotorblätter sind verbogen oder gekrümmt	Biegen Sie die Rotorblätter zurück oder ersetzen Sie
Steigrate ist erheblich reduziert	Hauptzahnrad ist aus der Führung gerutscht.	Schieben Sie es zurück in Position.
LED auf dem Empfänger blinkt schnell, Luftfahrzeug will sich während des Bindevorganges nicht an an den Sender binden.	Sender ist während des Bindevorganges zu nah am Luftfahrzeug.	Schalten Sie den Sender aus und bringen in weiter weg vom Luftfahrzeug, trennen und verbinden den Flugakku erneut und folgen den Bindeanweisungen.
	Bindschalter oder Knopf wurde während des Einschaltens nicht gedrückt.	Schalten Sie den Sender aus und wiederholen den Bindevorgang.
	Luftfahrzeug oder Sender ist zu nah an großen metallischen Objekten, Funkquelle oder anderem Sender.	Bringen Sie das Luftfahrzeug und Sender an einen anderen Ort und versuchen erneut zu binden.
LED blinkt schnell, Luftfahrzeug reagiert nicht auf Sender (nach dem Binden)	Sie haben weniger als 5 Minuten zwischen dem ersten Einschalten des Senders und dem Anschluss des Flugakkus gewartet.	Lassen Sie den Sender eingeschaltet, trennen und schließen den Flugakku erneut an.
	Luftfahrzeug ist an einen anderen Modellspeicher gebunden (nur ModelMatch Sender)	Wählen Sie den richtigen Modellspeicher auf dem Sender, trennen und verbinden den Flugakku am Luftfahrzeug.
	Flugakku / Senderakku ist nicht ausreichend geladen.	Ersetzen / laden Sie die Akkus.
	Sender war an einem anderen Modell gebunden (oder mit anderem DSM Protokoll)	Wählen Sie den richtigen Sender oder binden den neuen.
	Luftfahrzeug oder Sender ist zu nah an großem Metallobjekt, Funkquelle oder anderem Sender.	Bringen Sie die Luftfahrzeug und Sender an einen anderen Ort und versuchen dort eine Verbindung.
Hubschrauber vibriert oder schüttelt während Fluges.	Beschädigte Rotorblätter, Welle oder Blatthalter.	Überprüfen Sie die Blätter und Blatthalter auf Brüche oder Risse. Ersetzen Sie beschädigte Teile oder verbogene Wellen

Explosionszeichnung und Teileliste





Optionale Teile

Artikelnr	Bezeichnung
BLH3318A	Blade Nano CP X Kabinenhaube u. Finne Blau
BLH3320A	Blade Nano CP X : Finne blau m. Dekorbkg.
EFLC1004	E-flite 4 Port Ladegerät 1S 3;7V 0;3A
EFLC1005	E-flite Netzteil für 4 Port Ladegerät
	DX6i Sender
	DX7S Sender
	DX8 Sender
	DX18 Sender

Artikelnr	Bezeichnung
L	BLH3313 Blade Nano CP X : Spindel mit O-Ringen und Zubehör
M	BLH3314 Blade Nano CP X : Blatthalter mit Lager
N	BLH3315 Blade 2x5x2 Kugellager (2)
O	BLH3603 Blade MCP X/2 Heckrotor (1)
P	BLH3318 Blade Nano CP X : Kabinenhaube u. Finne Gelb
Q	BLH3320 Blade Nano CP X : Finne gelb m. Dekorbkg.
R	BLH3521 Befestigungsringe Kabinenhaube (8)
S	BLH3322 Blade Nano CP X : Rotorkopfanelenkungen (4)
	BLH3323 Blade Nano CP X : Kleinteile Set
T	SPMSH2025L 2.0-Gram Linear Long Throw Servo , 15mm Kabel
U	SPMSH2026L 2.1-Gram Linear Long Throw Servo , 38mm Kabel
	SPMR4400 DX4e 4 Kanal Sender ohne Empfänger MD 2
	EFLC1000 E-flite 150mAh 1-Cell 3.7V 25C LiPo Akku
V	EFLB1501S25 E-flite 150mAh 1-Cell 3.7V 25C LiPo Akku
	SPM6836 Ersatzgetriebe Servo: 2.3-Gram 2030L
	BLH3324 Blade Nano CP X : Spindelwerkzeug-set

Artikelnr	Bezeichnung
A	BLH3301 Blade Nano CP X: Flybarless 3-in-1 Kontrollboard RX/ESC/ Gyro
B	BLH3302 Heckausleger mit Motor / Rotor u. Halterung: Nano CP X
C	BLH3303 Blade Nano CP X : Hauptmotor m. Ritzel
D	BLH3304 Blade Nano CP X : Landekufen u. Akkuhalter
E	BLH3305 Blade Nano CP X : Rahmen m. Zbh
F	BLH3306 Blade Nano CP X, Scout CX: Hauptzahnrad
G	BLH3307 Blade Nano CP X : Kohlefaserhauptrotorwelle m. Stellring u. Zbh.
H	BLH3308 Blade Nano CP X : Servogestänge m. Kugelköpfen
I	BLH3309 Blade Nano CP X : Präzisionstaumelscheibe
J	BLH3310 Blade Nano CP X : Hauptrotorblätter m. Zbh.
K	BLH3312 Blade Nano CP X : Rotorkopfzentralstück m. Zbh.

Haftungsbeschränkung

Warnung

Ein ferngesteuertes Modell ist kein Spielzeug. Es kann, wenn es falsch eingesetzt wird, zu erheblichen Verletzungen bei Lebewesen und Beschädigungen an Sachgütern führen. Betrachten Sie Ihr RC-Modell nur auf freien Plätzen und beachten Sie alle Hinweise der Bedienungsanleitung des Modells wie auch der Fernsteuerung.

Garantiezeitraum

Exklusive Garantie – Horizon Hobby Inc (Horizon) garantiert, dass das gekaufte Produkt frei von Material- und Montagefehlern ist. Der Garantiezeitraum entspricht den gesetzlichen Bestimmungen des Landes, in dem das Produkt erworben wurde. In Deutschland beträgt der Garantiezeitraum 6 Monate und der Gewährleistungszeitraum 18 Monate nach dem Garantiezeitraum.

Einschränkungen der Garantie

- (a) Die Garantie wird nur dem Erstkäufer (Käufer) gewährt und kann nicht übertragen werden. Der Anspruch des Käufers besteht in der Reparatur oder dem Tausch im Rahmen dieser Garantie. Die Garantie erstreckt sich ausschließlich auf Produkte, die bei einem autorisierten Horizon Händler erworben wurden. Verkäufe an Dritte werden von dieser Garantie nicht gedeckt. Garantieansprüche werden nur angenommen, wenn ein gültiger Kaufnachweis erbracht wird. Horizon behält sich das Recht vor, diese Garantiebestimmungen ohne Ankündigung zu ändern oder modifizieren und widerruft dann bestehende Garantiebestimmungen.
- (b) Horizon übernimmt keine Garantie für die Verkaufbarkeit des Produktes, die Fähigkeiten und die Fitness des Verbrauchers für einen bestimmten Einsatzzweck des Produktes. Der Käufer allein ist dafür verantwortlich, zu prüfen, ob das Produkt seinen Fähigkeiten und dem vorgesehenen Einsatzzweck entspricht.
- (c) Ansprüche des Käufers – Es liegt ausschließlich im Ermessen von Horizon, ob das Produkt, bei dem ein Garantiefall festgestellt wurde, repariert oder ausgetauscht wird. Dies sind die exklusiven Ansprüche des Käufers, wenn ein Defekt festgestellt wird.

Horizon behält sich vor, alle eingesetzten Komponenten zu prüfen, die in den Garantiefall einbezogen werden können. Die Entscheidung zur Reparatur oder zum Austausch liegt nur bei Horizon. Die Garantie schließt kosmetische Defekte oder Defekte, hervorgerufen durch höhere Gewalt, falsche Behandlung des Produktes, falscher Einsatz des Produktes, kommerziellen Einsatz oder Modifikationen irgendwelcher Art aus.

Die Garantie schließt Schäden, die durch falschen Einbau, falsche Handhabung, Unfälle, Betrieb, Service oder Reparaturversuche, die nicht von Horizon ausgeführt wurden aus. Rücksendungen durch den Käufer direkt an Horizon oder eine seiner Landesvertretungen bedürfen der Schriftform.

Schadensbeschränkung

Horizon ist nicht für direkte oder indirekte Folgeschäden, Einkommensausfälle oder kommerzielle Verluste, die in irgendeinem Zusammenhang mit dem Produkt stehen verantwortlich, unabhängig ab ein Anspruch im Zusammenhang mit einem Vertrag, der Garantie oder der Gewährleistung erhoben werden. Horizon wird darüber hinaus keine Ansprüche aus einem Garantiefall akzeptieren, die über den individuellen Wert des Produktes hinaus gehen. Horizon hat keinen Einfluss auf den Einbau, die Verwendung oder die Wartung des Produktes oder etwaiger Produktkombinationen,

die vom Käufer gewählt werden. Horizon übernimmt keine Garantie und akzeptiert keine Ansprüche für in der Folge auftretende Verletzungen oder Beschädigungen. Mit der Verwendung und dem Einbau des Produktes akzeptiert der Käufer alle aufgeführten Garantiebestimmungen ohne Einschränkungen und Vorbehalte. Wenn Sie als Käufer nicht bereit sind, diese Bestimmungen im Zusammenhang mit der Benutzung des Produktes zu akzeptieren, werden Sie gebeten, dass Produkt in unbenutztem Zustand in der Originalverpackung vollständig bei dem Verkäufer zurückzugeben.

Sicherheitshinweise

Dieses ist ein hochwertiges Hobby Produkt und kein Spielzeug. Es muss mit Vorsicht und Umsicht eingesetzt werden und erfordert einige mechanische wie auch mentale Fähigkeiten. Ein Versagen, das Produkt sicher und umsichtig zu betreiben kann zu Verletzungen von Lebewesen und Sachbeschädigungen erheblichen Ausmaßes führen. Dieses Produkt ist nicht für den Gebrauch durch Kinder ohne die Aufsicht eines Erziehungsberechtigten vorgesehen. Die Anleitung enthält Sicherheitshinweise und Vorschriften sowie Hinweise für die Wartung und den Betrieb des Produktes. Es ist unabdingbar, diese Hinweise vor der ersten Inbetriebnahme zu lesen und zu verstehen. Nur so kann der falsche Umgang verhindert und Unfälle mit Verletzungen und Beschädigungen vermieden werden.

Fragen, Hilfe und Reparaturen

Ihr lokaler Fachhändler und die Verkaufsstelle können eine Garantiebeurteilung ohne Rücksprache mit Horizon nicht durchführen. Dies gilt auch für Garantiereparaturen. Deshalb kontaktieren Sie in einem solchen Fall den Händler, der sich mit Horizon kurz schließen wird, um eine sachgerechte Entscheidung zu fällen, die Ihnen schnellst möglich hilft.

Wartung und Reparatur

Muss Ihr Produkt gewartet oder repariert werden, wenden Sie sich entweder an Ihren Fachhändler oder direkt an Horizon.

Rücksendungen / Reparaturen werden nur mit einer von Horizon vergebenen RMA Nummer bearbeitet. Diese Nummer erhalten Sie oder ihr Fachhändler vom technischen Service. Mehr Informationen dazu erhalten Sie im Serviceportal unter www.Horizonhobby.de oder telefonisch bei dem technischen Service von Horizon.

Packen Sie das Produkt sorgfältig ein. Beachten Sie, dass der Originalkarton in der Regel nicht ausreicht, um beim Versand nicht beschädigt zu werden. Verwenden Sie einen Paketdienstleister mit einer Tracking Funktion und Versicherung, da Horizon bis zur Annahme keine Verantwortung für den Versand des Produktes übernimmt. Bitte legen Sie dem Produkt einen Kaufbeleg bei, sowie eine ausführliche Fehlerbeschreibung und eine Liste aller eingesendeten Einzelkomponenten. Weiterhin benötigen wir die vollständige Adresse, eine Telefonnummer für Rückfragen, sowie eine Email Adresse.

Garantie und Reparaturen

Garantieanfragen werden nur bearbeitet, wenn ein Originalkaufbeleg von einem autorisierten Fachhändler beiliegt, aus dem der Käufer und das Kaufdatum hervorgeht. Sollte sich ein Garantiefall bestätigen wird das Produkt repariert oder ersetzt. Diese Entscheidung obliegt einzig Horizon Hobby.

Kostenpflichtige Reparaturen

Liegt eine kostenpflichtige Reparatur vor, erstellen wir einen

Kostenvorschlag, den wir Ihrem Händler übermitteln. Die Reparatur wird erst vorgenommen, wenn wir die Freigabe des Händlers erhalten. Der Preis für die Reparatur ist bei Ihrem Händler zu entrichten. Bei kostenpflichtigen Reparaturen werden mindestens 30 Minuten Werkstattzeit und die Rückversandkosten in Rechnung gestellt. Sollten wir nach 90 Tagen keine Einverständniserklärung zur Reparatur vorliegen haben, behalten wir uns vor, das Produkt zu vernichten oder anderweitig zu verwerten.

Achtung: Kostenpflichtige Reparaturen nehmen wir nur für Elektronik und Motoren vor. Mechanische Reparaturen, besonders bei Hubschraubern und RC-Cars sind extrem aufwendig und müssen deshalb vom Käufer selbst vorgenommen werden.

Europäische Union:

Elektronik und Motoren müssen regelmäßig geprüft und gewartet werden. Für Servicezwecke sollten die Produkt an die folgende Adresse gesendet werden:

Horizon Technischer Service

Christian-Junge-Straße 1

25337 Elmshorn, Germany

Bitte rufen Sie +49 (0) 4121 2655 100 an oder schreiben Sie uns ein Email an service@horizonhobby.de um jede mögliche Frage zum Produkt oder der

Garantieabwicklung zu stellen.

Garantie und Service Kontaktinformationen

Land des Kauf	Horizon Hobby	Adresse	Telefon / E-mail Adresse
Germany	Horizon Technischer Service	Christian-Junge-Straße 1 25337 Elmshorn Germany	+49 (0) 4121 2655 100 service@horizonhobby.de

Kundendienstinformationen

Land des Kauf	Horizon Hobby	Adresse	Telefon / E-mail Adresse
Germany	Horizon Hobby GmbH	Christian-Junge-Straße 1 25337 Elmshorn Germany	+49 (0) 4121 2655 100 service@horizonhobby.de

Konformitätserklärung für die Europäische Union

AT	BE	BG	CZ	CY
DE	DK	ES	FI	GR
HU	IE	IT	LT	LU
LV	MT	NL	PL	PT
RO	SE	SI	SK	UK



Konformitätserklärung laut Allgemeine Anforderungen (ISO/IEC 17050-1:2004, korrigierte Fassung 2007-06-15); Deutsche und Englische Fassung EN ISO/IEC 17050-1:2010

Declaration of Conformity (in accordance with ISO/IEC 17050-1)

No. HH2012081003

Horizon Hobby GmbH
Christian-Junge-Straße 1
25337 Elmshorn, Deutschland

erklärt das Produkt: Nano CP X RTF (Spektrum DX4e Sender enthalten) (BLH3300)
declares the product: *Nano CP X RTF (Spektrum DX4e transmitter included)* (BLH3300)

Geräteklasse: 2
equipment class: 2

den grundlegenden Anforderungen des §3 und den übrigen einschlägigen Bestimmungen des FTEG (Artikel 3 der R&TTE), und EMV 2004/108/EC und LVD 2006/95/EC entspricht.

complies with the essential requirements of §3 and other relevant provisions of the FTEG (Article 3 of the R&TTE directive), and EMC Directive 2004/108/EC and LVD Directive 2006/95/EC.

Angewendete harmonisierte Normen:
Harmonized standards applied:

EN 300-328 V1.7.1: 2006

EN 301 489-1 V1.7.1: 2006

EN 301 489-17 V1.3.2: 2008

EN 60950-1:2006+A12: 2011

EN55022: 2010

EN55024: 2010



Elmshorn,
10. August 2012

Steven A. Hall
Geschäftsführer
Managing Director

Birgit Schamuhn
Geschäftsführerin
Managing Director

Horizon Hobby GmbH; Christian-Junge-Straße 1, 25337 Elmshorn
HR Pi: HRB 1909; UStIDNr.: DE812678792; Str.Nr.: 1829812324

Geschäftsführer: Birgit Schamuhn, Steven A. Hall Tel.: +49 (0) 4121 2655 100 Fax: +49 (0) 4121 2655 111

eMail: info@horizonhobby.de; Internet: www.horizonhobby.de Es gelten unsere allgemeinen Geschäftsbedingungen,

die in unseren Geschäftsräumen eingesehen werden können. Ware bleibt bis zur vollständigen Bezahlung Eigentum der Horizon Hobby GmbH

Konformitätserklärung laut Allgemeine Anforderungen (ISO/IEC 17050-1:2004, korrigierte Fassung 2007-06-15); Deutsche und Englische Fassung EN ISO/IEC 17050-1:2010

Declaration of Conformity (in accordance with ISO/IEC 17050-1)

No. HH2012081002

Horizon Hobby GmbH
Christian-Junge-Straße 1
25337 Elmshorn, Deutschland

erklärt das Produkt: Nano CP X BNF (BLH3300)
declares the product: Nano CP X BNF (BLH3300)

Gerätekategorie: 1
equipment class: 1

den grundlegenden Anforderungen des §3 und den übrigen einschlägigen Bestimmungen des FTEG (Artikel 3 der R&TTE), und EMV 2004/108/EC und LVD 2006/95/EC entspricht.

complies with the essential requirements of §3 and other relevant provisions of the FTEG (Article 3 of the R&TTE directive), and EMC Directive 2004/108/EC and LVD Directive 2006/95/EC.

Angewendete harmonisierte Normen:
Harmonized standards applied:

EN 301 489-1 V1.7.1: 2006

EN 301 489-17 V1.3.2: 2008

EN 60950-1:2006+A12: 2011

EN55022: 2010

EN55024: 2010



Elmshorn,
10. August 2012

Steven A. Hall
Geschäftsführer
Managing Director

Birgit Schamuhn
Geschäftsführerin
Managing Director

Horizon Hobby GmbH; Christian-Junge-Straße 1, 25337 Elmshorn
HR Pi: HRB 1909; UStIDNr.: DE812678792; Str.Nr.: 1829812324

Geschäftsführer: Birgit Schamuhn, Steven A. Hall Tel.: +49 (0) 4121 2655 100 Fax: +49 (0) 4121 2655 111
eMail: info@horizonhobby.de; Internet: www.horizonhobby.de Es gelten unsere allgemeinen Geschäftsbedingungen,

die in unseren Geschäftsräumen eingesehen werden können. Ware bleibt bis zur vollständigen Bezahlung Eigentum der Horizon Hobby GmbH



Anweisungen zur Entsorgung von Elektro- und Elektronik-Altgeräten für Benutzer in der Europäischen Union

Dieses Produkt darf nicht zusammen mit anderem Abfall entsorgt werden. Stattdessen ist der Benutzer dafür verantwortlich, unbrauchbare Geräte durch Abgabe bei einer speziellen Sammelstelle für das Recycling von unbrauchbaren elektrischen und elektronischen Geräten zu entsorgen. Die separate Sammlung und das Recycling von unbrauchbaren Geräten zum Zeitpunkt der Entsorgung hilft, natürliche

Ressourcen zu bewahren und sicherzustellen, dass Geräte auf eine Weise wiederverwertet werden, bei der die menschliche Gesundheit und die Umwelt geschützt werden. Weitere Informationen dazu, wo Sie unbrauchbare Geräte zum Recycling abgeben können, erhalten Sie bei lokalen Ämtern, bei der Müllabfuhr für Haushaltsmüll sowie dort, wo Sie das Produkt gekauft haben.

REMARQUE

Les instructions, garanties et autres documents afférents peuvent faire l'objet de modifications à tout moment par Horizon Hobby, Inc. Pour obtenir la dernière documentation en date, rendez-vous sur le site bladehelis.com et cliquez sur l'onglet Support de ce produit.

Termes utilisés dans un sens particulier

Les termes suivants sont repris dans toute la documentation du produit pour indiquer différents niveaux de risque potentiel liés à l'utilisation du produit :

REMARQUE : procédures qui, si elles ne sont pas correctement suivies, entraînent un risque de dommages physiques matériels ET un risque de blessures faible ou nul.

ATTENTION : procédures qui, si elles ne sont pas correctement suivies, entraînent un risque de dommages matériels ET un risque de blessures graves.

AVERTISSEMENT : procédures qui, si elles ne sont pas correctement suivies, entraînent un risque de dommages matériels, un risque de dommages collatéraux et un risque de blessures graves OU une forte probabilité de blessures superficielles.



AVERTISSEMENT : avant toute chose, lisez ce manuel d'instructions EN ENTIER pour vous familiariser avec les fonctionnalités du produit. Toute utilisation incorrecte peut endommager le produit ainsi que le matériel et provoquer des blessures graves.

Ce produit Hobby contient des technologies de pointe. Il requiert des compétences de base en mécanique et doit être utilisé avec prudence et bon sens. L'utilisation de ce produit de manière non sécurisée ou non responsable peut provoquer des blessures ou des dommages matériels (au produit et à d'autres équipements). Il ne doit être utilisé par des enfants que sous la surveillance directe d'un adulte. Il est interdit de désassembler le produit, de l'utiliser avec des composants incompatibles ou de lui ajouter des extensions sans l'autorisation de Horizon Hobby, Inc. Ce manuel contient des instructions de sécurité, d'utilisation et de maintenance. Avant d'assembler, de monter ou d'utiliser le produit, vous devez lire et respecter toutes les instructions et tous les avertissements mentionnés dans ce manuel, afin d'utiliser correctement le produit et d'éviter tout dommage ou blessure grave.

14 ans et plus. Ceci n'est pas un jouet.

Safety Precautions and Warnings

En tant qu'utilisateur de ce produit, il est de votre seule responsabilité de le faire fonctionner d'une manière qui ne mette en danger ni votre personne, ni de tiers et qui ne provoque pas de dégâts au produit lui-même ou à la propriété d'autrui.

- Gardez une bonne distance de sécurité tout autour de votre modèle, afin d'éviter les collisions ou les blessures. Ce modèle est contrôlé par un signal radio, qui peut être soumis à des interférences provenant de nombreuses sources hors de votre contrôle. Une interférence peut provoquer une perte momentanée de contrôle.
- Faites toujours fonctionner votre modèle dans une zone dégagée, à l'écart de voitures, du trafic et des personnes.
- Respectez toujours scrupuleusement les instructions et les mises en garde concernant ce produit et tous les équipements optionnels/complémentaires (chargeurs, packs de batteries rechargeables, etc.) que vous utilisez.
- Tenez tous les produits chimiques, les petites pièces et les composants électroniques, hors de portée des enfants.
- Évitez toujours d'exposer à l'eau tout équipement non spécifiquement conçu et protégé à cet effet. L'humidité endommage les composants électroniques.
- Ne léchez ni ne mettez jamais en bouche quelque partie de votre modèle que ce soit - risque de blessures graves voire de danger de mort.
- Ne faites jamais fonctionner votre modèle lorsque les batteries de l'émetteur sont faibles.
- Gardez toujours l'aéronef à vue et gardez-en toujours le contrôle.
- Toujours engager la coupure des gaz quand le rotor est bloqué.
- Utilisez toujours des batteries complètement chargées.
- Gardez toujours l'émetteur en marche lorsque l'aéronef est en marche.
- Enlevez toujours les batteries avant démontage.
- Veillez toujours à ce que les pièces en mouvement soient propres.
- Veillez toujours à ce que toutes les pièces soient sèches.
- Laissez toujours aux pièces le temps de refroidir avant de les toucher.
- Enlevez toujours les batteries après utilisation.
- Ne faites jamais voler un aéronef dont le câblage est endommagé.
- N'entrez jamais en contact avec des pièces en mouvement.

Introduction

Vous êtes sur le point de vivre une nouvelle expérience dans le domaine des ultra micro-hélicoptères grâce au Blade Nano CP X. L'agilité procurée par son système sophistiqué AS3X (stabilisation artificielle sur 3 axes) Flybarless et sa structure très légère il éclipse tous les autres hélicoptères de sa taille. Le vol inversé, les boucles, les flips, les tonneaux, les funnels et les hurricanes, le Nano CP X pourra tout faire.

Si vous effectuez la transition depuis un hélicoptère CCPM basic ou à pas fixe, vous trouverez que la Nano CP X est un très bon choix pour apprendre la voltige avec un hélicoptère CCPM sans devoir investir dans un équipement coûteux ou dans des réparations. Son système AS3X flybarless offre l'équilibre parfait entre l'agilité et la stabilité vous laissant explorer vos limites à votre rythme. Avant de commencer à piloter, veuillez prendre le temps de lire ce manuel, vous y trouverez des informations et conseils importants qui vous aideront à faire de votre premier vol, ainsi que tous les suivants, une réussite.

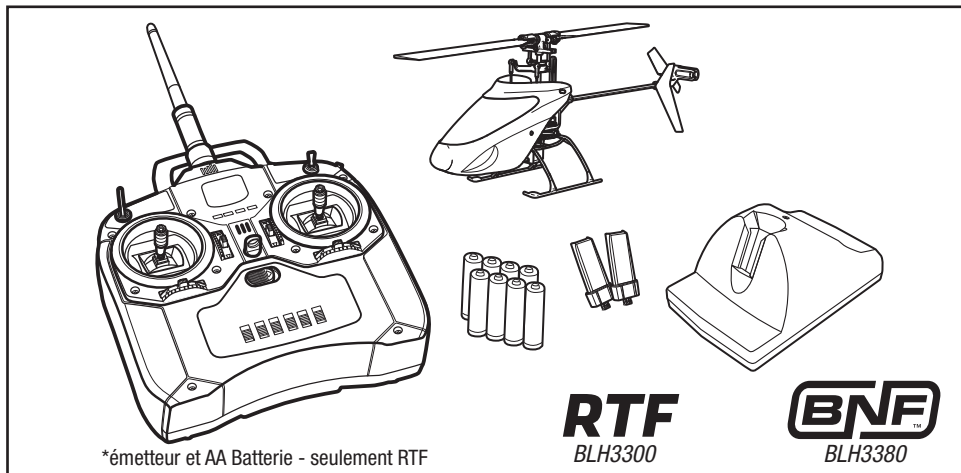


Table des matières

Table des matières	35	Mode idle-up	41
Avertissements relatifs à la charge	36	Installation de la batterie	42
Charge de la batterie	36	Coupage basse tension (LVC)	42
Technologie AS3X Flybarless pour hélicoptère	37	Pilotez le Nano CP X	42
Préparation au premier vol	37	Guide dépannage	43
Tâches à effectuer	37	Vue éclatée et liste des pièces détachées	44
Programmation de votre émetteur (émetteur programmables seulement)	37	Pièces optionnelles	45
Affectation de l'émetteur et du récepteur	39	Garantie limitée	46
Apprentissage des bases du pilotage	40	Coordonnées du service technique et garantie	47
Coupage des gaz	41	Coordonnées du service client	47
		Informations de conformité pour l'Union européenne	48

Caractéristiques générales du Blade Nano CP X	Ready To Fly	Bind-N-Fly
Modèle - Blade Nano CP X	Inclus	Inclus
Moteur principal et d'anticouple - A balais	Installés	Installés
Équipement électronique - Module Flybarless 3 en 1 Rx/Varios/Gyros	Installés	Installés
Batterie - Li-Po 3.7V 1S 150mA 25C	Incluse	Incluse
Chargeur - Li-Po 3.7V 1S 0.3A DC	Inclus	Inclus
Émetteur - Compatible DSM2/DSMX requis.	DX4e incluse	Vendue séparément
Piles de l'émetteur - 4AA	Incluses	Vendues séparément

Caractéristiques techniques du Blade Nano CP X	
Longueur	197mm
Hauteur	379mm
Masse	29 g
Diamètre du rotor principal	197mm
Diamètre du rotor d'anticouple	40mm

Pour enregistrer votre produit en ligne, rendez-vous sur le site www.bladehelis.com

Avertissements relatifs à la charge

Le chargeur (EFLC1000) livré avec votre avion a été conçu pour charger la batterie Li-Po en toute sécurité.

ATTENTION: les instructions et avertissements doivent être scrupuleusement suivis. Une manipulation non appropriée des batteries Li-Po peut provoquer un feu, des blessures corporelles et/ou des dégâts matériels.

- En manipulant, en chargeant ou en utilisant la batterie Li-Po incluse, vous assumez tous les risques associés aux batteries au lithium.
- Si la batterie commence à gonfler ou à se dilater, cessez immédiatement de l'utiliser. Si vous étiez en train de la charger ou de la décharger, interrompez la procédure et déconnectez-la. Continuer à utiliser, charger ou décharger une batterie qui gonfle ou se dilate peut provoquer un incendie.
- Pour obtenir les meilleurs résultats, entreposez toujours la batterie à température ambiante, dans un endroit sec.
- Lorsque vous transportez la batterie ou que vous la stockez temporairement, la température doit toujours être comprise entre 5 et 49 °C.
- Ne stockez en aucun cas la batterie ou l'avion dans une voiture ou à un endroit directement exposé à la lumière du soleil. Laisser dans une voiture chaude, la batterie peut se détériorer ou même prendre feu.
- Chargez toujours les batteries à distance de tout matériau inflammable.

- Faites toujours l'inspection de la batterie avant la charge, et ne chargez jamais des batteries hors d'usage ou endommagées.
- Déconnectez toujours la batterie après la charge, et laissez le chargeur se refroidir entre les charges.
- Surveillez toujours en continu la température du pack de batteries au cours de la charge.
- **UTILISEZ EXCLUSIVEMENT UN CHARGEUR CONÇU SPÉCIFIQUEMENT POUR CHARGER DES BATTERIES LI-PO.** Le fait de charger la batterie avec un chargeur non compatible peut être à l'origine d'un incendie provoquant des blessures corporelles et/ou des dégâts matériels.
- Ne déchargez jamais les cellules Li-Po en dessous de 3 V.
- Ne couvrez jamais les étiquettes d'avertissement avec des bandes auto-agrippantes.
- Ne laissez jamais sans surveillance des batteries en cours de charge.
- Ne chargez jamais les batteries sans respecter les niveaux recommandés.
- N'essayez jamais de démonter ou de modifier le chargeur.
- Ne laissez jamais des mineurs charger des packs de batteries.
- Ne chargez jamais les batteries dans des endroits extrêmement chauds ou froids (la plage de températures recommandées se situe entre 5 et 49 °C) et ne les exposez jamais à la lumière directe du soleil.

AVERTISSEMENT: Pour une utilisation du chargeur sur prise secteur, utilisez uniquement l'adaptateur *E-flite 6V*. N'UTILISEZ PAS une alimentation 12V sous peine de vous exposer à des dégâts matériels et des blessures corporelles.

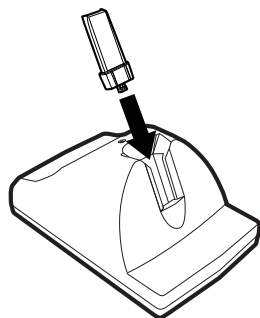
Charge de la batterie

Instructions d'utilisation du chargeur *E-flite* Li-Po 1S 3.7V DC (EFLC1000) :

1. Chargez uniquement des batteries froides au toucher. Inspectez l'état la batterie, afin de voir si elle n'est pas gonflée, déformée ou percée.
2. Retirez le couvercle situé en dessous du chargeur et installez les 4 piles AA incluses en respectant les polarités. Remplacez le couvercle une fois que les piles sont installées.
3. Glissez la batterie dans la rainure du chargeur. Le capuchon de la batterie a spécifiquement conçu pour éviter l'inversion de polarité. Cependant contrôlez tout de même que l'étiquette de la batterie est bien face à vous avant de passer à l'étape suivante.
4. Pressez délicatement la batterie dans le connecteur situé au fond de la rainure du chargeur.
5. Quand la connexion est correctement établie, la DEL rouge du chargeur s'allume de façon fixe indiquant que la charge a débuté.
6. La charge complète (batterie normalement déchargée) d'une batterie de 150mA dure entre 20 et 30 minutes. Quand la charge est presque terminée, la DEL se met à clignoter.

7. Quand la batterie est totalement chargée la DEL clignote environ une fois toutes les 20 secondes ou reste éteinte. Si la DEL reste allumée quand vous retirez la batterie du chargeur, cela signifie que les piles AA du chargeur sont usées.
8. Toujours retirer la batterie du chargeur immédiatement après la fin de la charge.

REMARQUE : Utilisez uniquement le chargeur inclus. Quand vous utilisez le chargeur en alimentation DC, utilisez uniquement des piles alcalines AA. N'utilisez pas de batteries rechargeables.



ATTENTION : NE TENTEZ JAMAIS d'alimenter le chargeur directement sur une prise secteur sans utiliser l'adaptateur secteur adéquat.

AVERTISSEMENT : Pour une utilisation en alimentation par un prise secteur, utilisez uniquement l'adaptateur *E-flite 6V* avec ce chargeur. N'UTILISEZ PAS une alimentation 12V sous peine de dégâts matériels et de blessures corporelles.

Technologie AS3X Flybarless pour hélicoptère

Le modèle Blade Nano CP X est équipé de la technologie sans barre Dell AS3X embarquée, conçu l'origine pour le modèle Blade Nano CP X. La technologie AS3X combine une stabilisation gyro sur 3 axes à une nouvelle tête de rotor à pas fixe sans barre Bell, qui se traduit par moins de dérive, un nombre de pièces réduit et des performances accrues.

La technologie AS3X permet également d'améliorer le tracking, la stabilité et la réponse de cyclique pour les pilotes moyens et chevronnés. Cependant, le système sans barre Dell AS3X ne constitue pas une aide au vol pour les débutants.

Préparation au premier vol

- Sortir et inspectez les composants
- Commencez à charger l'accu de vol
- Installez les 4 piles type AA dans l'émetteur (**RTF seulement**)
- Installer l'accu dans l'hélicoptère (si l'accu est totalement chargé)
- Programmez votre émetteur (**BNF seulement**)
- Testez les commandes
- Familiarisez-vous avec les commandes
- Choisissez une zone de vol appropriée

Tâches à effectuer

- Toujours allumer l'émetteur en premier
- Branchez l'accu au module 3 en 1
- Laissez le module 3 en 1 s'initialiser
- Effectuez un décollage puis un atterrissage
- Débranchez l'accu du module 3 en 1
- Toujours éteindre l'émetteur en dernier

BNF
BIND-N-FLY™

Programmation de votre émetteur (émetteur programmables seulement)

Programmez votre émetteur avant de tenter de binder ou voler. Si les valeurs de gaz et de pas programmées sont incorrectes, l'hélicoptère ne répondra pas. Les valeurs de programmation de l'émetteur sont indiquées ce dessous pour les *Spektrum* DX6i, DX7, DX7s, DX8, et DX18. Le fichier du modèle pour Spektrum DX8 est aussi disponible en téléchargement en ligne sur le site Spektrum DX8 Community.

REMARQUE : Si vous utilisez un émetteur Futaba® avec un module Spektrum DSM, il vous faudra inverser la voie de la manette des gaz et effectuer à nouveau l'affectation. Référez-vous au manuel d'utilisation du module Spektrum pour les instructions d'affectation et de sécurité failsafe. Référez-vous au manuel d'utilisation de l'émetteur Futaba pour les instructions d'inversion de voie de la manette des gaz.

DX6i

LISTE DE PARAMÉTRAGE	LISTE DE RÉGLAGES
Type de modèle	D/R & Expo
HELJ	0-AILE 100% 30%
Inverser	0-ELEV 100% 30%
THRO-N	0-RUDD 100% INH
AILE-N	1-AILE 85% 30%
ELEV-N	1-ELEV 85% 30%
RUDD-N	1-RUDD 85% INH
GYRO-N	Ajustement des débattements
PITC-R	THRO 100%
Type de plateau	AILE 100%
1 Servo 90	ELEV 100%
Timer	RUDD 100%
4:00	GYRO 100%
	PITC 100%
	Courbe de gaz
	NORM 0% 40% 60% 80% 100%
	STUNT 100% 100% 100% 100% 100%
	HOLD 10% 10% 10% 10% 10%
	Courbe de pas
	NORM 30% 40% 50% 75% 100%
	STUNT 0% 25% 50% 75% 100%
	HOLD 0% 25% 50% 75% 100%

Programmation de votre émetteur suite

DX7/DX7se

LISTE DE PARAMÉTRAGE	LISTE DE RÉGLAGES									
Type de modèle HELI	D/R & EXP		Courbe de gaz							
Type de plateau 1 Servo 90	0-AILE	30%	100%	NORM	0%	40%	60%	80%	100%	
	0-ELEV	30%	100%	ST-1	100%	INH	80%	INH#	100%	
	0-RUDD	INH	100%	ST-2	100%	100%	100%	100%	100%	
	1-AILE	30%	85%	HOLD	0%	0%	0%	0%	0%	
	1-ELEV	30%	85%	Courbe de pas						
	1-RUDD	INH	85%	NORM	30%	INH	50%	INH	100%	
	Ajustement des débattements			ST-1	0%	INH	50%	INH	100%	
	THRO	100%		ST-2	0%	INH	50%	INH	100%	
	ELEV	100%		HOLD	0%	INH	50%	INH	100%	
	GYRO	100%		Inverser		Timer				
	AILE	100%		THRO-N	RUDD-N	4:00				
	RUDD	100%		AILE-N	GEAR-N					
	PITC	75%		ELEV-N	PIT-N					

DX7s

LISTE DE PARAMÉTRAGE	LISTE DE RÉGLAGES									
Type de modèle HELI	D/R & Expo		Courbe de gaz							
Type de plateau 1 Servo Normal	0-AILE	100%	30%	NORM	0%	40%	60%	80%	100%	
Mode de Vol Mode de Vol: Mode V. Auto Rot: Désact	0-ELEV	100%	30%	ST-1	100%	90%	80%	90%	100%	
Taux de rafraichissement 22ms DSMX	0-RUDD	100%	0%	HOLD	0%	0%	0%	0%	0%	
	1-AILE	85%	30%	Courbe de pas						
	1-ELEV	85%	30%	NOR	30%	40%	50%	75%	100%	
	1-RUDD	85%	0%	ST-1	0%	25%	50%	75%	100%	
	2-AILE	85%	30%	HOLD	0%	25%	50%	75%	100%	
	2-ELEV	85%	30%	Servo		Timer				
	2-RUDD	85%	0%	Ajustement des débattements		THRO	N	4:00	Vol de base	
				THRO	N	AILE	N	3:00	Vol acrobatique	
				AILE	N	ELEV	N	MODE	Compte à rebours	
				ELEV	N	RUDD	N	Temps	4:00 Son/Vib	
				RUDD	N	GEAR	N	Départ	Gaz 1-fois	
				GEAR	N	PIT.	N	POS	25	
				PITC	100%					

DX8/DX18

LISTE DE PARAMÉTRAGE	LISTE DE RÉGLAGES									
Type de modèle HELI	D/R & Expo		Courbe de gaz							
Type de plateau 1 Servo Normal	0-AILE	100%	30%	NORM	0%	40%	60%	80%	100%	
Mode de Vol Mode de Vol: Mode V. Auto Rot: Désact	0-ELEV	100%	30%	ST-1	100%	90%	80%	90%	100%	
Taux de rafraichissement 22ms DSMX	0-RUDD	100%	0%	ST-2	100%	100%	100%	100%	100%	
	1-AILE	85%	30%	HOLD	0%	0%	0%	0%	0%	
	1-ELEV	85%	30%	Courbe de pas						
	1-RUDD	85%	0%	NOR	30%	40%	50%	75%	100%	
	2-AILE	85%	30%	ST-1	0%	25%	50%	75%	100%	
	2-ELEV	85%	30%	ST-2	0%	25%	50%	75%	100%	
	2-RUDD	85%	0%	HOLD	0%	25%	50%	75%	100%	
	Servo		Ajustement des débattements		Inverser		Timer			
	THRO	100%		THRO	N	THRO	N	4:00	Vol de base	
	AILE	100%		AILE	N	AILE	N	3:00	Vol acrobatique	
	ELEV	100%		ELEV	N	MODE	Compte à rebours			
	RUDD	100%		RUDD	N	Temps	4:00 Son/Vib			
	GEAR	100%		GEAR	N	Départ	Gaz 1-fois			
	PITC	100%		PIT.	N	POS	25			

Affectation de l'émetteur et du récepteur

Si vous avez acheté un modèle RTF, l'émetteur et le modèle ont été bindés ensemble à l'usine.

Pour Binder ou re-binder votre mCP X à un émetteur de votre choix, suivez les instructions suivantes:

Le bindage est le processus qui permet d'appairer un récepteur à un émetteur. Vous devez "binder" votre émetteur avion *Spektrum* ou équipé de la technologie DSM au récepteur.

REMARQUE: Utilisez les instructions de bindage sous les instructions de radios programmables si vous utilisez un émetteur DX4e ou DX5e avec le Nano CP X BNF

✓ Procédure de bindage avec une radio programmable

1.	Débranchez l'accu de l'hélicoptère.
2.	Eteignez l'émetteur et placez tous les interrupteurs sur la position 0.
3.	Branchez l'accu à l'hélicoptère. La diode du contrôleur 3-en-1 va flasher après 5 secondes.
4.	Pressez le bouton bind quand vous allumez l'émetteur.
5.	Relâchez le bouton bind après 2–3 secondes.
6.	Poussez totalement à droite le manche de la dérive. Maintenez le manche de dérive jusqu'à ce que la diode du contrôleur 3 en 1 s'éclaire bleue fixe.
7.	Relâchez le manche de dérive.
8.	Débranchez l'accu de l'hélicoptère et éteignez votre émetteur.

REMARQUE: La commande de Gaz ne s'activera pas si le manche de Gaz n'est pas à la position la plus basse et l'interrupteur Mode Stunt doit être sur la position 0.

Si vous rencontrez des soucis, recommencez la procédure et référez vous à la section guide dépannage du manuel ou contactez le service après vente Horizon Hobby.

Veillez vous rendre sur le site www.bindnfly.com pour la liste complète des émetteurs compatibles.

✓ Procédure de bindage avec une radio non programmable (DX4e, DX5e)

1.	Débranchez l'accu de l'hélicoptère.
2.	Eteignez l'émetteur et placez tous les interrupteurs sur la position 0.
3.	Branchez l'accu à l'hélicoptère. La diode du contrôleur 3-en-1 va flasher après 5 secondes.
4.	Pressez le bouton trainer (écolage) quand vous allumez l'émetteur.
5.	Une fois que la diode de l'émetteur a flashé 2 fois, poussez totalement à gauche le manche de la dérive.
6.	Relâchez le bouton trainer (écolage) et maintenez le manche de dérive jusqu'à ce que la diode du contrôleur 3 en 1 s'éclaire bleue fixe.
7.	Relâchez le manche de dérive.
8.	Pressez le bouton trainer (écolage). La diode bleue du contrôleur va flasher pour confirmer que l'hélicoptère est bien dans le mode radio non programmable.
9.	Débranchez l'accu de l'hélicoptère et éteignez votre émetteur.

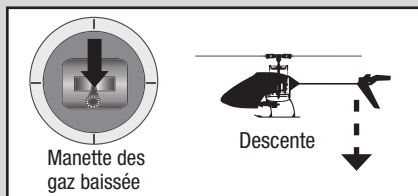
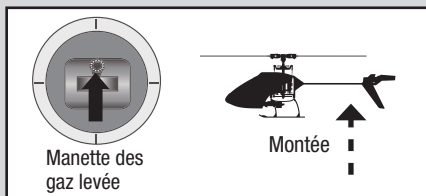
REMARQUE: Si le plateau cyclique de déplace de haut en bas quand vous basculez l'interrupteur trainer, l'hélicoptère est en mode émetteur programmable; refaites la procédure de bindage.

Apprentissage des bases du pilotage

Si vous ne maîtrisez pas les commandes de votre Nano CP X, prenez quelques minutes pour vous familiariser avec les commandes avant le premier vol.

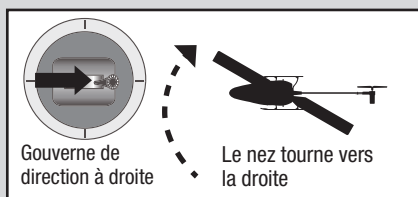
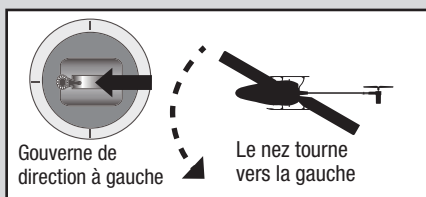
Manette des gaz (Vue latérale gauche)

Mode 1  Mode 2 



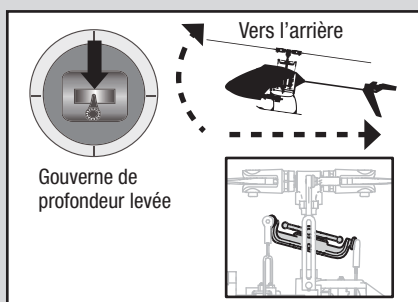
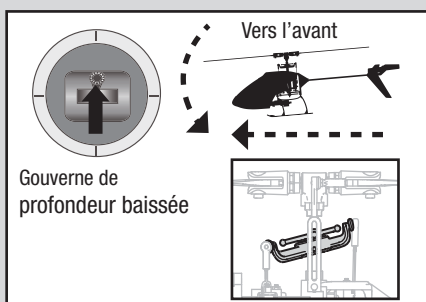
Gouverne de direction (Vue d'en haut)

Mode 1  Mode 2 



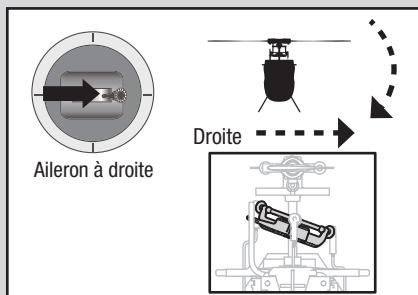
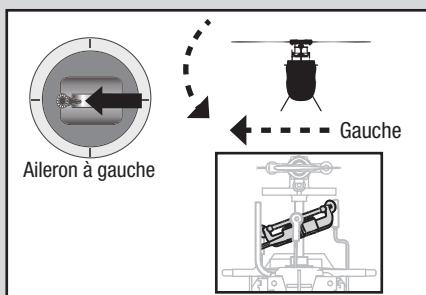
Gouverne de profondeur (Vue latérale gauche)

Mode 1  Mode 2 



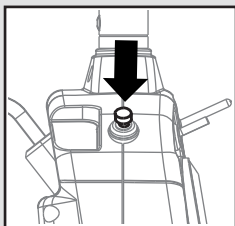
Aileron (Vue arrière)

Mode 1  Mode 2 



Coupure des gaz

La coupure moteur est utilisée pour arrêter les moteurs de l'hélicoptère si perte de contrôle ou risque de crash, ou les deux. Activer la coupure moteur quand l'hélicoptère risque de se crasher réduit le risque de gros dégâts.

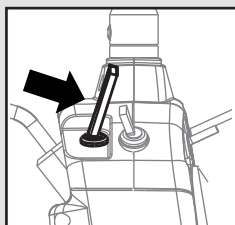
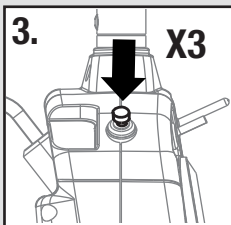
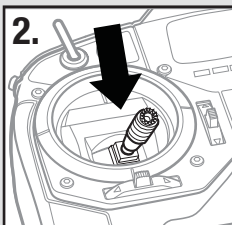
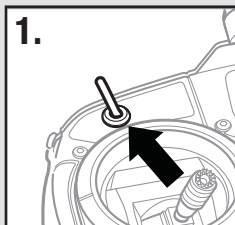


Coupure moteur activée (DX4e)

Pressez n'importe quand le bouton trainer pour activer la coupure quand l'accu est branché à l'hélicoptère. La diode bleue clignote, indiquant que la coupure moteur est activée.

Throttle Hold OFF (DX4e)

1. Vérifiez que l'interrupteur AUX est sur la position off.
2. Baissez le manche de gaz.
3. Pressez le bouton trainer 3 fois durant 3 secondes. La diode bleue s'éclaire fixement.

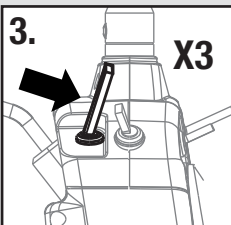
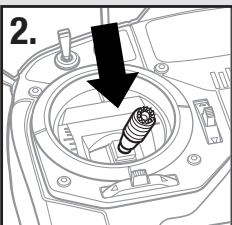
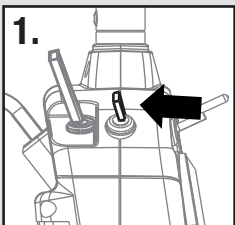


Coupure moteur activée (DX5e)

Poussez n'importe quand le bouton trainer pour activer la coupure quand l'accu est branché à l'hélicoptère. La diode bleue clignote, indiquant que la coupure moteur est activée.

Coupure moteur désactivée (DX5e)

1. Vérifiez que l'interrupteur de train (gear) est sur la position 0.
2. Baissez le manche des gaz.
3. Poussez le bouton trainer 3 fois durant 3 secondes. La diode bleue s'éclaire fixement.



Mode idle-up

Le mode idle-up permet à l'hélicoptère de faire du vol inversé et des figures de voltige. Les gaz fonctionnent en continue quand le mode Idle-up est activé, sans regarder la position du manche de gaz. Désactiver le mode idle-up pour revenir en mode normal.

Utilisez l'interrupteur AUX/ACT sur la DX4e ou l'interrupteur de train (gear) sur la DX5e pour activer le mode 3D.

DX4e – AUX/ACT OFF – Mode Normal

DX5e – Voie 5 (0) – Mode Normal

AUX/ACT ON – Mode 3D

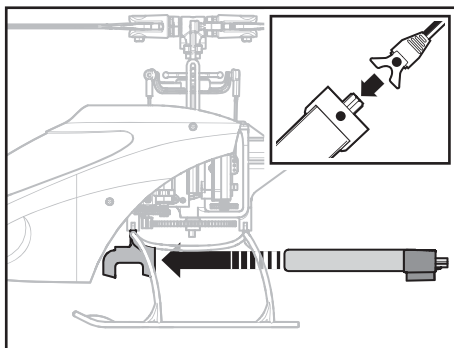
DX5e – Voie 5 (1) – Mode 3D

Installation de la batterie

1. Baissez le manche des gaz et le trim au plus bas.
2. Allumez l'émetteur.
3. Installez l'accu dans son support. Connectez l'accu au module 3 en 1.

REMARQUE: Ne déplacez pas l'hélicoptère tant que la diode bleue du module 3 en 1 ne s'éclaire pas fixement.

REMARQUE: Ne jamais laisser l'accu Li-Po branché quand l'appareil n'est pas utilisé. Cela pourrait rendre l'accu inutilisable.



Coupeure basse tension (LVC)

La coupeure par tension faible (LVC) protège la batterie Li-Po contre les surcharges en vol et se déclenche lorsque la batterie atteint 3V par cellule en charge. Réglez la minuterie de votre émetteur à 4 minutes et faites atterrir l'hélicoptère lorsque la minuterie expire.

Précautions et directives liées à la coupeure par tension faible

- L'activation répétée de la coupeure par tension faible endommage la batterie de vol et vous oblige à la remplacer à terme.
- Débranchez la batterie Li-Po du module flybarless après chaque vol. Si vous ne débranchez la batterie Li-Po avant de ranger l'appareil, elle se déchargera de manière excessive et ne pourra plus être rechargée à l'avenir.
- La coupeure par tension faible ne protège pas la batterie contre la décharge excessive pendant le stockage.
- La garantie ne couvre ni les dommages de collisions ni les dommages de la batterie.

Pilotez le Nano CP X

Consultez les réglementations et les autorités locales avant de choisir un endroit pour faire voler votre modèle.

Choisissez un lieu dégagé à l'écart des spectateurs et objets.



ATTENTION : Consacrez quelques minutes pour vous familiariser avec les commandes de base du Blade Nano CP X avant de tenter votre premier vol. Le Blade Nano CP X est plus vif que les autres micro-hélicoptères Blade comme le mSR par exemple. Demandez de l'aide à un pilote expérimenté si vous débutez en hélicoptère à pas collectif.

Décollage

Augmentez progressivement les gaz en laissant le temps au rotor de prendre sa vitesse.

REMARQUE : N'agissez pas sur la commande d'ailerons, de profondeur ou d'anticouple avant le décollage ou l'hélicoptère risquerait de se crasher.

Vol

L'hélicoptère quitte le sol quand la tête rotor atteint une régime suffisant et que vous appliquez du pas. Effectuez un stationnaire à basse altitude pour contrôler le fonctionnement correct de votre hélicoptère.

Les pilotes qui débutez en pas collectif doivent se familiariser avec le Nano CP X en mode normal et en petits débattements. Une fois familiarisé avec la réponse de l'hélicoptère, réglez les débattements, les expos, les courbes de pas et de gaz pour une correspondance avec votre style de pilotage.

REMARQUE : Toujours piloter votre hélicoptère avec le soleil dans le dos afin d'éviter les pertes de contrôle.

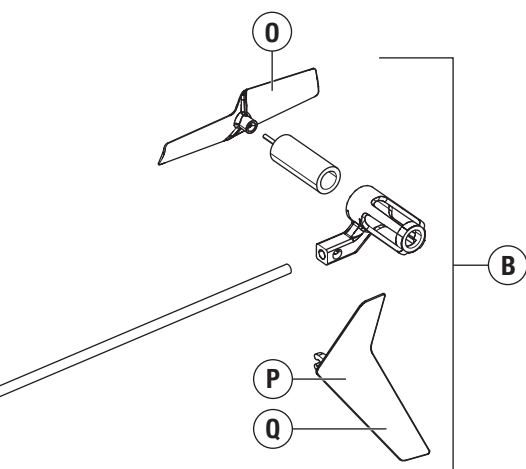
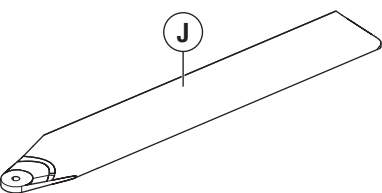
Atterrissage

Effectuez un stationnaire à faible altitude. Baissez progressivement les gaz jusqu'à l'atterrissage de l'hélicoptère. Effectuez seulement de petites corrections aux commandes pour éviter que les pales ne touchent le sol ou autre dégât.

REMARQUE : Pour minimiser les dommages, toujours activer la coupeure des gaz si un crash est imminent ou en train de se produire.

Guide dépannage

Problème	Cause possible	Solution
L'hélicoptère ne s'initialise pas	Gaz en position haute	Mettez les commandes à zéro en mettant le manche et le trim de gaz au centre ou au plus bas
	Interrupteurs en position incorrecte	Choisissez le mode de vol en OFF/0 et quittez le mode coupure moteur.
	Inversion de servo de gaz ou pas mal configurée	Réinitialisez les inversions de servo, référez vous à "Programmez votre Emetteur"
L'hélicoptère ne décolle pas	Coupure moteur activée	Désactivez la coupure avec le manche des gaz en bas et le trim centré ou bas. Référez vous "Coupure moteur"
	Tension d'accu faible	Rechargez Complètement l'accu
Baisse de puissance moteur durant le vol	Le récepteur coupe en douceur lorsque la tension basse est atteinte	Rechargez l'accu pour faire un autre vol
Désactivation impossible de la coupure moteur	Le mode 3D est encore activé	Désactivez le mode de vol OFF/ 0 et quittez la coupure moteur.
	Le manche des gaz n'est pas en position basse	Réinitialisez les commandes en plaçant le manche et le trim de gaz au centre ou en position basse
Coupure de puissance en vol inversé	Mode 3D désactivé.	Passer en mode 3D avant de faire du vol inversé.
Ne se bind pas de façon appropriée à une radio non programmable	L'Hélicoptère se bind différemment binds aux radios non programmables.	Relâcher le bouton bind après avoir mis le manche de dérive à gauche. Ne maintenez pas le bouton Bind après avoir déplacé le manche de dérive.
Mauvais contrôle à l'anti-couple	La poutre de queue est fléée.	Remplacez la poutre.
	Les pales d'anti-couple sont déformées ou cassées	Redressez ou changez les pales.
La taux de montée est très diminué	La couronne a glissé sur l'arbre principal.	Replacer la couronne dans son emplacement.
La DEL du récepteur clignote rapidement et l'appareil ne répond pas aux commandes. (Durant l'affectation)	L'émetteur est trop près de l'appareil durant l'affectation.	Mettez l'émetteur hors tension. Eloignez-le de l'appareil. Débranchez puis rebranchez la batterie. Suivez les instructions d'affectation.
	L'interrupteur ou le bouton d'affectation n'a pas été maintenu durant la mise sous tension de l'émetteur.	Mettez l'émetteur hors tension et recommencez le processus d'affectation.
	Le modèle ou l'émetteur est placé trop près d'un grand objet métallique, d'un réseau sans fil ou d'un autre émetteur.	Déplacez le modèle et l'émetteur à un autre lieu et recommencez l'affectation.
La DEL du récepteur clignote rapidement et l'appareil ne répond pas aux commandes. (après l'affectation)	Moins de 5 secondes se sont écoulées entre l'allumage de l'émetteur et la connexion de la batterie de vol sur le modèle.	Laissez l'émetteur sous tension, débranchez puis rebranchez la batterie du modèle.
	Le modèle est affecté à une mémoire de modèle différente (radios ModelMatch uniquement).	Sélectionnez la mémoire modèle correcte sur l'émetteur et débranchez puis rebranchez la batterie du modèle.
	Charge des batteries de l'émetteur ou du modèle est trop faible.	Remplacez ou chargez les batteries.
	L'émetteur a peut être été affecté à un autre modèle (ou avec un protocole DSM différent).	Sélectionnez le bon émetteur ou affectez le nouvel émetteur.
	Le modèle ou l'émetteur est placé trop près d'un grand objet métallique, d'un réseau sans fil ou d'un autre émetteur.	Déplacez le modèle et l'émetteur à un autre lieu et recommencez l'affectation.
L'hélicoptère vibre ou se secoue durant le vol	Pales, axes ou pieds de pales endommagés.	Contrôlez ces pièces. Remplacez les pièces endommagées. Remplacez les axes tordus.



Ref. #	Désignations
A BLH3301	Nano CP X - Module 3 en 1 Flybarless, RX/Varios/Gyros
B BLH3302	Nano CP X -Poutre complète avec support,moteur et rotor d'anticouple.
C BLH3303	Nano CP X - Moteur principal avec pignon
D BLH3304	Nano CP X - Train d'atterrissage avec support de batterie.
E BLH3305	Nano CP X - Châssis avec visserie
F BLH3306	Nano CP X, Scout CX - Couronne principale
G BLH3307	Nano CP X - Axe principal en carbone avec bague et visserie.
H BLH3308	Nano CP X - Set de tringleries de servo avec rotules, 3pcs
I BLH3309	Nano CP X - Plateau cyclique complet
J BLH3310	Nano CP X - Pales principales avec visserie
K BLH3312	Nano CP X - Moyeu de rotor principal avec visserie

Pièces optionnelles

Ref. #	Désignations
BLH3318A	Nano CP X -Bulle bleue
BLH3320A	Nano CP X -Bulle bleue
EFLC1004	Chargeur <i>Celectra</i> 4 ports
EFLC1005	Adaptateur secteur AC-DC 6V 1.5A
	Emetteur DX6i
	Emetteur DX7S
	Emetteur DX8
	Emetteur DX18

Ref. #	Désignations
L BLH3313	Nano CP X - Axe de pieds de pales avec joints toriques et visserie.
M BLH3314	Nano CP X - Pieds de pales principales avec roulements.
N BLH3315	Roulement 2X5X2 (2)
O BLH3603	Nano CP X mCP x/2 - Rotor d'anticouple
P BLH3318	Nano CP X - Bulle jaune
Q BLH3320	Nano CP X - Dérive verticale avec autocollant
R BLH3521	Nano CP X - Silent blocs de bulle
S BLH3322	Nano CP X - Biellettes de tête (4)
BLH3323	Nano CP X - Visserie
T SPM5H2025L	Servo linéaire 2g, câble 15mm
U SPM5H2026L	Servo linéaire 2.1g, câble 38mm
SPMR4400	Emetteur DX4e DSMX 4 voies
EFLC1000	Chargeur Li-Po 1S 3.7V 0.3A
V EFLB1501S25	Batterie Li-Po 1S 3.7V 150mA 25C
SPM6836	Mécanique de servo 2.3g 2030L
BLH3324	Nano CP X - Outil de démontage d'axe de pied de pales

Garantie limitée

Durée de la garantie

Garantie exclusive - Horizon Hobby, Inc. (Horizon) garantit que le Produit acheté (le « Produit ») sera exempt de défauts matériels et de fabrication à sa date d'achat par l'Acheteur. La durée de garantie correspond aux dispositions légales du pays dans lequel le produit a été acquis. La durée de garantie est de 6 mois et la durée d'obligation de garantie de 18 mois à l'expiration de la période de garantie.

Limitations de la garantie

- (a) La garantie est donnée à l'acheteur initial (« Acheteur ») et n'est pas transférable. Le recours de l'acheteur consiste en la réparation ou en l'échange dans le cadre de cette garantie. La garantie s'applique uniquement aux produits achetés chez un revendeur Horizon agréé. Les ventes faites à des tiers ne sont pas couvertes par cette garantie. Les revendications en garantie seront acceptées sur fourniture d'une preuve d'achat valide uniquement. Horizon se réserve le droit de modifier les dispositions de la présente garantie sans avis préalable et révoque alors les dispositions de garantie existantes.
- (b) Horizon n'endosse aucune garantie quant à la vendabilité du produit ou aux capacités et à la forme physique de l'utilisateur pour une utilisation donnée du produit. Il est de la seule responsabilité de l'acheteur de vérifier si le produit correspond à ses capacités et à l'utilisation prévue.
- (c) Recours de l'acheteur – Il est de la seule discrétion d'Horizon de déterminer si un produit présentant un cas de garantie sera réparé ou échangé. Ce sont là les recours exclusifs de l'acheteur lorsqu'un défaut est constaté.

Horizon se réserve la possibilité de vérifier tous les éléments utilisés et susceptibles d'être intégrés dans le cas de garantie. La décision de réparer ou de remplacer le produit est du seul ressort d'Horizon. La garantie exclut les défauts esthétiques ou les défauts provoqués par des cas de force majeure, une manipulation incorrecte du produit, une utilisation incorrecte ou commerciale de ce dernier ou encore des modifications de quelque nature qu'elles soient. La garantie ne couvre pas les dégâts résultant d'un montage ou d'une manipulation erronés, d'accidents ou encore du fonctionnement ainsi que des tentatives d'entretien ou de réparation non effectuées par Horizon. Les retours effectués par le fait de l'acheteur directement à Horizon ou à l'une de ses représentations nationales requièrent une confirmation écrite.

Limitation des dégâts

Horizon ne saurait être tenu pour responsable de dommages consécutifs directs ou indirects, de pertes de revenus ou de pertes commerciales, liés de quelque manière que ce soit au produit et ce, indépendamment du fait qu'un recours puisse être formulé en relation avec un contrat, la garantie ou l'obligation de garantie. Par ailleurs, Horizon n'acceptera pas de recours issus d'un cas de garantie lorsque ces recours dépassent la valeur unitaire du produit. Horizon n'exerce aucune influence sur le montage, l'utilisation ou la maintenance du produit ou sur d'éventuelles combinaisons de produits choisies par l'acheteur. Horizon ne prend en compte aucune garantie et n'accepte aucun recours pour les blessures ou les dommages pouvant en résulter. En utilisant et en montent le produit, l'acheteur accepte sans restriction ni réserve toutes les dispositions relatives à la garantie figurant dans le présent document.

Si vous n'êtes pas prêt, en tant qu'acheteur, à accepter ces dispositions en relation avec l'utilisation du produit, nous vous demandons de restituer au vendeur le produit complet, non utilisé et dans son emballage d'origine.

Indications relatives à la sécurité

Ceci est un produit de loisirs perfectionné et non un jouet. Il doit être utilisé avec précaution et bon sens et nécessite quelques aptitudes mécaniques ainsi que mentales. L'incapacité à utiliser le produit de manière sûre et raisonnable peut provoquer des blessures et des dégâts matériels conséquents. Ce produit n'est pas destiné à être utilisé par des enfants sans la surveillance par un tuteur. La notice d'utilisation contient des indications relatives à la sécurité ainsi que des indications concernant la maintenance et le fonctionnement du produit. Il est absolument indispensable de lire et de comprendre ces indications avant la première mise en service. C'est uniquement ainsi qu'il sera possible d'éviter une manipulation erronée et des accidents entraînant des blessures et des dégâts.

Questions, assistance et réparations

Votre revendeur spécialisé local et le point de vente ne peuvent effectuer une estimation d'éligibilité à l'application de la garantie sans avoir consulté Horizon. Cela vaut également pour les réparations sous garantie. Vous voudrez bien, dans un tel cas, contacter le revendeur qui conviendra avec Horizon d'une décision appropriée, destinée à vous aider le plus rapidement possible.

Maintenance et réparation

Si votre produit doit faire l'objet d'une maintenance ou d'une réparation, adressez-vous soit à votre revendeur spécialisé, soit directement à Horizon. Emballez le produit soigneusement. Veuillez noter que le carton d'emballage d'origine ne suffit pas, en règle générale, à protéger le produit des dégâts pouvant survenir pendant le transport. Faites appel à un service de messagerie proposant une fonction de suivi et une assurance, puisque Horizon ne prend aucune responsabilité pour l'expédition du produit jusqu'à sa réception acceptée. Veuillez joindre une preuve d'achat, une description détaillée des défauts ainsi qu'une liste de tous les éléments distincts envoyés. Nous avons de plus besoin d'une adresse complète, d'un numéro de téléphone (pour demander des renseignements) et d'une adresse de courriel.

Garantie et réparations

Les demandes en garantie seront uniquement traitées en présence d'une preuve d'achat originale émanant d'un revendeur spécialisé agréé, sur laquelle figurent le nom de l'acheteur ainsi que la date d'achat. Si le cas de garantie est confirmé, le produit sera réparé. Cette décision relève uniquement de Horizon Hobby.

Réparations payantes

En cas de réparation payante, nous établissons un devis que nous transmettons à votre revendeur. La réparation sera seulement effectuée après que nous ayons reçu la confirmation du revendeur. Le prix de la réparation devra être acquitté au revendeur. Pour les réparations payantes, nous facturons au minimum 30 minutes de travail en atelier ainsi que les frais de réexpédition. En l'absence d'un accord pour la réparation dans un délai de 90 jours, nous nous réservons la possibilité de détruire le produit ou de l'utiliser autrement.

Attention : nous n'effectuons de réparations payantes que pour les composants électroniques et les moteurs. Les réparations touchant à la mécanique, en particulier celles des hélicoptères et des voitures radiocommandées, sont extrêmement coûteuses et doivent par conséquent être effectuées par l'acheteur lui-même.

Coordonnées du service technique et garantie

Pays d'achat	Horizon Hobby	Adresse	Numéro de téléphone/Courriel
France	Horizon Hobby SAS	14 Rue Gustave Eiffel Zone d'Activité du Réveil Matin 91230 Montgeron	+33 (0) 1 60 47 44 70 infofrance@horizonhobby.com

Coordonnées du service client

Pays d'achat	Horizon Hobby	Adresse	Numéro de téléphone/Courriel
France	Horizon Hobby SAS	14 Rue Gustave Eiffel Zone d'Activité du Réveil Matin 91230 Montgeron	+33 (0) 1 60 47 44 70 infofrance@horizonhobby.com

Informations de conformité pour l'Union européenne

AT	BE	BG	CZ	CY
DE	DK	ES	FI	GR
HU	IE	IT	LT	LU
LV	MT	NL	PL	PT
RO	SE	SI	SK	UK

Déclaration de conformité

(conformément à la norme ISO/IEC 17050-1)

No. HH2012081003

Produit(s): Nano CP X RTF (DX4e émetteur)

Numéro(s) d'article: BLH3300

Catégorie d'équipement: 2

L'objet de la déclaration décrit ci-dessus est en conformité avec les exigences des spécifications énumérées ci-après, suivant les conditions de la directive ETRT 1999/5/CE et la directive CEM 2004/108/EC et la directive LVD 2006/95/EC:

EN 300-328 V1.7.1: 2006

EN 301 489-1 V1.7.1: 2006

EN 301 489-17 V1.3.2: 2008

EN 60950-1:2006+A12: 2011

EN55022: 2010

EN55024: 2010



Signé en nom et pour le compte de:
Horizon Hobby, Inc.
Champaign, IL USA
10 août 2012

A handwritten signature in black ink, appearing to read "S A Hall".

Steven A. Hall
Vice-Président, Directeur Général
Gestion Internationale des Activités et des Risques
Horizon Hobby, Inc.

Déclaration de conformité

(conformément à la norme ISO/IEC 17050-1)

No. HH2012081002

Produit(s): Nano CP X BNF

Numéro(s) d'article: BLH3380

Catégorie d'équipement: 1

L'objet de la déclaration décrit ci-dessus est en conformité avec les exigences des spécifications énumérées ci-après, suivant les conditions de la directive ETRT 1999/5/CE et la directive CEM 2004/108/EC et la directive LVD 2006/95/EC:

EN 301 489-1 V1.7.1: 2006

EN 301 489-17 V1.3.2: 2008

EN 60950-1:2006+A12: 2011

EN55022: 2010

EN55024: 2010



Signé en nom et pour le compte de:
Horizon Hobby, Inc.
Champaign, IL USA
10 août 2012

Steven A. Hall
Vice-Président, Directeur Général
Gestion Internationale des Activités et des Risques
Horizon Hobby, Inc.

Élimination dans l'Union Européenne



Ce produit ne doit pas être éliminé avec les ordures ménagères. Il est de la responsabilité de l'utilisateur de remettre le produit à un point de collecte officiel des déchets d'équipements électriques. Cette procédure permet de garantir le respect de l'environnement et une meilleure gestion des ressources naturelles. Elle protège de plus le bien-être de la communauté humaine. Pour plus d'informations quant aux lieux d'éliminations des déchets d'équipements électriques, vous pouvez contacter votre mairie ou le service local de traitement des ordures ménagères.

AVVISO

Tutte le istruzioni, le garanzie e gli altri documenti pertinenti sono soggetti a cambiamenti a totale discrezione di Horizon Hobby, Inc. Per una documentazione aggiornata sul prodotto, visitare il sito horizonhobby.com e fare clic sulla sezione Support del prodotto.

Convenzioni terminologiche

Nella documentazione relativa al prodotto vengono utilizzati i seguenti termini per indicare i vari livelli di pericolo potenziale durante l'uso del prodotto:

AVVISO: indica procedure che, se non debitamente seguite, possono determinare il rischio di danni alle cose E il rischio minimo o nullo di lesioni alle persone.

ATTENZIONE: indica procedure che, se non debitamente seguite, determinano il rischio di danni alle cose E di gravi lesioni alle persone.

AVVERTENZA: indica procedure che, se non debitamente seguite, determinano il rischio di danni alle cose, danni collaterali e gravi lesioni alle persone O il rischio elevato di lesioni superficiali alle persone.



AVVERTENZA: leggere TUTTO il manuale di istruzioni e familiarizzare con le caratteristiche del prodotto prima di farlo funzionare. Un uso improprio del prodotto può causare danni al prodotto stesso e alle altre cose e gravi lesioni alle persone.

Questo aeromodello è un prodotto sofisticato per appassionati di modellismo. Deve essere azionato in maniera attenta e responsabile e richiede alcune conoscenze basilari di meccanica. L'uso improprio o irresponsabile di questo prodotto può causare lesioni alle persone e danni al prodotto stesso o alle altre cose. Questo prodotto non deve essere utilizzato dai bambini senza la diretta supervisione di un adulto. Non tentare di smontare, utilizzare componenti incompatibili o modificare il prodotto in nessun caso senza previa approvazione di Horizon Hobby, Inc. Questo manuale contiene le istruzioni per la sicurezza, l'uso e la manutenzione del prodotto. È fondamentale leggere e seguire tutte le istruzioni e le avvertenze del manuale prima di montare, impostare o utilizzare il prodotto, al fine di utilizzarlo correttamente e di evitare di causare danni alle cose o gravi lesioni alle persone.

Almeno 14 anni. Non è un giocattolo.

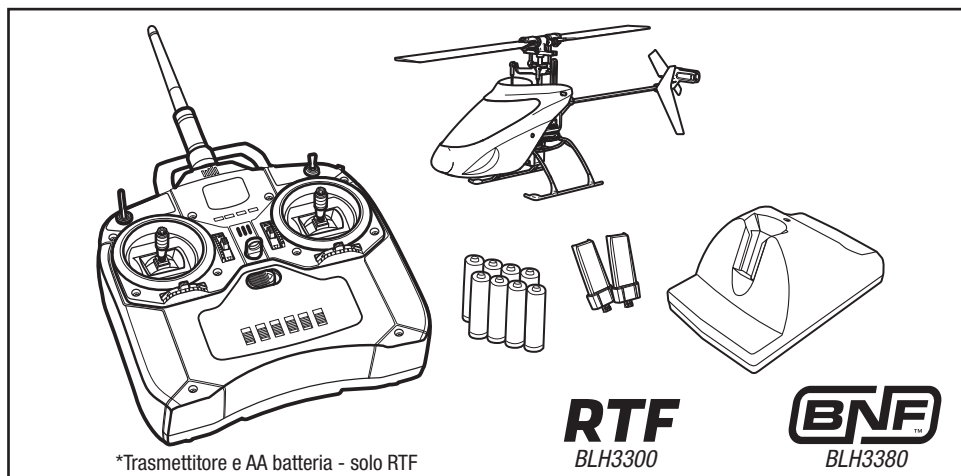
Ulteriori precauzioni per la sicurezza e avvertenze

- Mantenere sempre un perimetro di sicurezza intorno al modello per evitare collisioni o ferite. Questo modello funziona con comandi radio soggetti all'interferenza di altri dispositivi non controllabili dall'utente. Qualsiasi interferenza può provocare una momentanea perdita di controllo
- Utilizzare sempre l'aeromodello in spazi aperti liberi da veicoli, traffico o persone.
- Seguire sempre scrupolosamente le istruzioni e le avvertenze relative all'aeromodello e a tutti gli accessori (caricabatteria, pacchi batterie ricaricabili ecc.).
- Tenere sempre le sostanze chimiche, i componenti di piccole dimensioni e i componenti elettrici fuori dalla portata dei bambini.
- Evitare sempre il contatto con l'acqua di tutti i dispositivi che non sono stati specificatamente progettati per funzionare in acqua. L'umidità danneggia le parti elettroniche.
- Non mettere in bocca alcun componente del modello poiché potrebbe causare lesioni gravi o persino morte.
- Non far volare il modello se le batterie della trasmettente sono poco cariche.
- Tenere sempre il modello in vista e sotto controllo.
- Inserire il "throttle hold" per tenere fermo il rotore.
- Usare sempre batterie completamente cariche. - Tenere sempre il trasmettitore acceso quando il modello è acceso.
- Togliere sempre le batterie prima di intervenire sul modello.
- Mantenere sempre pulite le parti in movimento. - Mantenere sempre asciutte tutte le parti del modello.
- Lasciare sempre raffreddare le parti calde prima di toccarle.
- Dopo l'uso togliere sempre le batterie.
- Non usare il modello con i cablaggi danneggiati.
- Non toccare le parti in movimento.

Introduzione

Come state per vedere, il *Blade Nano CP X* è un heli ultra micro che vi permetterà di fare un'esperienza come nessun'altro può fare. L'agilità dell'avanzato sistema Flybarless *AS3X* (Stabilizzazione Artificiale su 3 assi) e il suo telaio leggero come una piuma, faranno passare in secondo piano quasi tutti gli altri heli delle sue dimensioni. Il Nano CP X può fare il volo rovescio e tutte le altre manovre acrobatiche più ardite.

Se state passando da un heli basico CCPM o a passo fisso, troverete che il Nano CP X è un modo fantastico per avere un volo acrobatico CCPM confortevole senza dover investire molto in attrezzature e ricambi costosi. Il suo sistema Flybarless fornisce un perfetto equilibrio tra agilità e stabilità per esplorare i vostri limiti senza fretta. Prima di iniziare a volare, però, vi preghiamo di leggere attentamente questo manuale. Contiene informazioni importanti da conoscere prima del volo e consigli utili per fare il primo volo e tutti i successivi, nel miglior modo possibile.



Indice

Avvertenze per la carica	52	Sgancio del motore (throttle hold).....	57
Carica della batteria	52	Modalità acrobatica.....	57
Tecnologia AS3X flybarless	53	Spegnimento per bassa tensione (LVC).....	58
Preparazione al primo volo.....	53	Volare con Nano CP X	58
Elenco dei controlli prima del volo	53	Vista esplosa ed elenco dei ricambi.....	60
Programmare il vostro trasmettitore (solo trasmettitori computer)	53	Pezzi opzionali	61
Connessione (binding) fra trasmettitore e ricevitore	55	Contatti per garanzia e assistenza.....	63
Capire i controlli principali per il volo	56	Informazioni per il servizio al cliente	63
		Conformità per l'Unione Europea.....	64

Blade Nano CP X Features	Ready To Fly	Bind-N-Fly
Cellula – Blade Nano CP X	Inclusa	Inclusa
Motori principale e di coda – Con spazzole	Installati	Installati
Elettronica a bordo – Unità di controllo Flybarless 3n1, RX/ESCs/Gyros	Installato	Installato
Batteria – 150mAh 1S 3.7V 25C LiPo Battery	Inclusa	Inclusa
Caricabatterie – 1-Cell 3.7V 0.3A DC Li-Po Caricabatterie	Incluso	Incluso
Trasmettitore – Richiede un trasmettitore compatibile <i>DSM2/DSMX</i>	DX4e Incluso	Venduto separatamente
Batterie trasmettitore – 4 AA	Incluse	Venduto separatamente

Specifiche del Blade Nano CP X			
Lunghezza	197mm	Diametro rotore principale	197mm
Altezza	79mm	Diametro rotore di coda	40mm
Peso in volo	29 g		

Per registrare il prodotto online, visitare il sito www.bladeheli.com

Avvertenze per la carica

Il caricabatterie (EFLC1000) fornito insieme con questo aereo, è stato progettato per caricare le batterie LiPo in piena sicurezza.

ATTENZIONE: tutte le istruzioni e gli avvertimenti relativi devono essere seguiti esattamente. Un uso scorretto delle batterie LiPo può causare incendi, lesioni e danni.

- Maneggiando, caricando o usando l'inclusa batteria LiPo, vi assumete tutti i rischi associati a questo tipo di batteria.
- Se in qualsiasi momento le batterie dovessero gonfiarsi, bisogna smettere subito di adoperarle sia in carica che in uso. In caso contrario si potrebbero incendiare.
- Per avere i migliori risultati conservare sempre le batterie in un posto secco e a temperatura ambiente.
- La temperatura per conservare temporaneamente le batterie o per trasportarle deve essere compresa tra 5 e 49° C. Evitare di lasciarle in un'auto parcheggiata al sole o direttamente sotto il sole; si potrebbero incendiare.
- Caricare sempre le batterie lontano da materiali infiammabili.

- Controllare sempre le batterie prima di caricarle per evitare di caricare batterie esaurite o danneggiate.
- Scollegare sempre le batterie quando hanno terminato la carica e lasciare che il caricabatterie si raffreddi tra una carica e l'altra.
- Durante la carica controllare attentamente la temperatura delle batterie.
- USARE SOLO UN CARICABATTERIE SPECIFICO PER LE BATTERIE LiPo. In caso contrario le batterie si potrebbero incendiare o scoppiare causando ferite o danni.
- Non scaricare le celle LiPo al di sotto dei 3 V sotto carico.
- Non coprire con fascette o altro le targhette delle batterie indicanti le loro caratteristiche.
- Non abbandonare le batterie durante la carica.
- Non caricare le batterie oltre i livelli raccomandati.
- Non caricare batterie danneggiate.
- Non provare a smontare o modificare il caricabatterie.
- Non lasciare che i bambini provvedano alla carica delle batterie.
- Non caricare le batterie con temperature estremamente calde o fredde (si raccomanda tra 5 e 49° C) oppure direttamente sotto i raggi del sole.

AVVERTENZA: per alimentare questo caricabatterie con la rete a 220V, usare solo un alimentatore *E-flite* 6V. Non usare un alimentatore a 12V perché si potrebbero avere danni e lesioni.

Carica della batteria

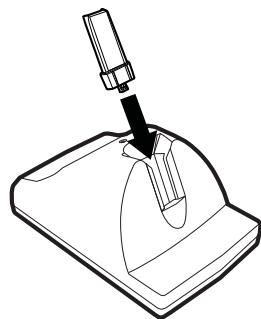
Istruzioni per il caricabatterie LiPo *E-flite* 1 cella 3,7V, corrente 0,3A DC:

1. Caricare solo batterie che siano fresche al tatto e che non siano danneggiate. Controllare visivamente che le batterie non siano gonfie, piegate, rotte o forate.
2. Togliere il coperchio nella parte inferiore del caricabatterie e installare 4 pile AA incluse, osservando la giusta polarità. Poi rimettere a posto il coperchio.
3. Inserire la batteria nella fessura sul caricatore. Il cappuccio della batteria è fatto apposta per entrare solo nel verso giusto, (normalmente con l'etichetta della batteria rivolta verso l'esterno. Comunque controllare sempre che l'allineamento e la polarità siano giusti prima di procedere al passo successivo.
4. Premere delicatamente la batteria ed il suo connettore nella presa posta nella parte inferiore della fessura sul caricatore.
5. Inserita correttamente la batteria, il LED sul caricatore diventa rosso fisso, indicando che la carica è iniziata.
6. Collegando una batteria completamente scarica (non sovrascaricata) da 150 mA, ci vogliono circa 20-30 minuti per caricarla. Quando si avvicina la fine

della carica, il LED comincia a lampeggiare.

7. Quando la batteria è completamente carica, il LED lampeggia ogni 20 secondi circa o si spegne completamente. Se il LED resta acceso quando viene tolta la batteria, significa che le 4 pile AA inserite nel caricatore sono quasi scariche.
8. Togliere la batteria dal caricatore appena terminata la carica.

AVVISO: Usare solo il caricatore fornito. Per le operazioni di carica in DC (con le pile AA), usare solo pile Alcaline tipo AA per alimentare il caricatore. Non usare batterie ricaricabili tipo AA.



ATTENZIONE: non tentare di alimentare il caricatore da una presa AC a 220V senza il suo alimentatore/adattatore.

AVVERTENZA: per alimentare questo caricabatterie con la rete a 220V, usare solo un alimentatore *E-flite* 6V. Non usare un alimentatore a 12V perché si potrebbero avere danni e lesioni.

Tecnologia AS3X flybarless

Il Blade Nano CP X utilizza la tecnologia flybarless AS3X di bordo. La tecnologia AS3X unisce la stabilizzazione del giroscopio a 3 assi con una testa del rotore flybarless a passo fisso, che comporta un trascinamento inferiore, parti più piccole e prestazioni migliori.

La tecnologia AS3X migliora anche la tracciabilità, la stabilità e la risposta ciclica per piloti intermedi ed esperti. Tuttavia, il sistema flybarless AS3X non rappresenta un aiuto per il volo per principianti.

Preparazione al primo volo

- Rimuovere il contenuto della confezione e verificarlo
- Caricare la batteria di volo
- Installare quattro batterie AA nel trasmettitore (**SOLO RTF**)
- Installare la batteria di volo completamente carica nell'elicottero
- Programmare il trasmettitore computerizzato (**SOLO BNF**)
- Collegare il trasmettitore all'elicottero
- Prendere familiarità con i comandi di volo
- Cercare un'area aperta per il volo

Elenco dei controlli prima del volo

- Accendere sempre prima il trasmettitore
- Collegare la batteria di volo al cavo dell'unità senza flybar
- Attendere che l'unità senza flybar effettui l'inizializzazione e funzioni correttamente
- Decollare
- Atterrare
- Scollegare la batteria di volo dall'unità senza flybar
- Spegnerne sempre il trasmettitore per ultimo

BNF
BIND-N-FLY™

Programmare il vostro trasmettitore (solo trasmettitori computer)

Programma il trasmettitore prima di tentare il binding o far volare l'elicottero. Se i valori di programmazione del throttle e del pitch non sono corretti, l'elicottero non risponde. Sono riportati di seguito i valori di programmazione del trasmettitore per Spektrum DX6i, DX7, DX7s, DX8, e DX18. È anche possibile scaricare il file del modello *Spektrum* DX7s, DX8, e DX18 online alla pagina Spektrum DX8 Community.

AVVISO: Quando si utilizza un trasmettitore Futaba con un modulo Spektrum DSM, è necessario invertire il canale del gas ed effettuare nuovamente il Binding. Consultare il manuale del vostro modulo Spektrum per settare nuovamente il Bind ed il FailSafe. Consultate il manuale della vostra trasmittente per effettuare l'inversione del canale del gas.

DX6i

ELENCO DI SETUP		ELENCO REGOLAZIONI								
Tipo di modello		D/R & Expo			Curva del throttle					
HELI		0-AILE	100%	30%	NORM	0%	40%	60%	80%	100%
Inversione		0-ELEV	100%	30%	STUNT	100%	100%	100%	100%	100%
THRO-N		0-RUDD	100%	INH	HOLD	10%	10%	10%	10%	10%
AILE-N		1-AILE	85%	30%						
ELEV-N		1-ELEV	85%	30%	Curva del pitch					
RUDD-N		1-RUDD	85%	INH	NORM	30%	40%	50%	75%	100%
GYRO-N					STUNT	0%	25%	50%	75%	100%
PITC-R					HOLD	0%	25%	50%	75%	100%
Tipo di piatto ciclico		Regolazione della corsa dei servo								
1 Servo 90		THRO	100%							
Timer		AILE	100%							
4:00		ELEV	100%							
		RUDD	100%							
		GYRO	100%							
		PITC	75%							

Programmare il vostro trasmettitore seguito

DX7/DX7se

ELENCO DI SETUP		ELENCO REGOLAZIONI									
Tipo di modello HELI		D/R & EXP		Curva del throttle							
Tipo di piatto ciclico 1 Servo 90		0-AILE	30%	100%	NORM	0%	40%	60%	80%	100%	
		0-ELEV	30%	100%	ST-1	100%	INH	80%	INH%	100%	
		0-RUDD	INH	100%	ST-2	100%	100%	100%	100%	100%	
		1-AILE	30%	85%	HOLD	0%	0%	0%	0%	0%	
		1-ELEV	30%	85%	Curva del pitch						
		1-RUDD	INH	85%	NORM	30%	INH	50%	INH	100%	
					ST-1	0%	INH	50%	INH	100%	
					ST-2	0%	INH	50%	INH	100%	
					HOLD	0%	INH	50%	INH	100%	
					Regolazione della corsa dei servo						
		THRO	100%		Inversione		Timer				
		ELEV	100%		THRO	N	RUDD	N	4:00		
		GYRO	100%		AILE	N	GEAR	N			
		AILE	100%		ELEV	N	PIT.	N			
		RUDD	100%								
		PITC	100%								

DX7s

ELENCO DI SETUP		ELENCO REGOLAZIONI									
Tipo di modello HELI		D/R & Expo		Curva del throttle							
Tipo di piatto ciclico 1 Servo Normal		0-AILE	100%	30%	NORM	0%	40%	60%	80%	100%	
		0-ELEV	100%	30%	ST-1	100%	90%	80%	90%	100%	
		0-RUDD	100%	0%	HOLD	0%	0%	0%	0%	0%	
		1-AILE	85%	30%	Curva del pitch						
		1-ELEV	85%	30%	NOR	30%	40%	50%	75%	100%	
		1-RUDD	85%	0%	ST-1	0%	25%	50%	75%	100%	
		2-AILE	85%	30%	HOLD	0%	25%	50%	75%	100%	
		2-ELEV	85%	30%							
		2-RUDD	85%	0%							
Fasi di Volo Fasi Volo: F. Volo Hold: Inibito		Servo		Regolazione della corsa dei servo		Inversione		Timer			
		THRO	100%	THRO	N	4:00		Vol de base			
		AILE	100%	AILE	N	3:00		Vol acrobatique			
		ELEV	100%	ELEV	N	MOD0		Timer			
		RUDD	100%	RUDD	N	TEMPO		4:00 Ton/Vib			
		GEAR	100%	GEAR	N	INIZIO		Gas			
		PITC	100%	PIT.	N	POS		25			
Frame Rate 22ms DSMX											

DX8/DX18

ELENCO DI SETUP		ELENCO REGOLAZIONI									
Tipo di modello HELI		D/R & Expo		Curva del throttle							
Tipo di piatto ciclico 1 Servo Normal		0-AILE	100%	30%	NORM	0%	40%	60%	80%	100%	
		0-ELEV	100%	30%	ST-1	100%	90%	80%	90%	100%	
		0-RUDD	100%	0%	ST-2	100%	100%	100%	100%	100%	
		1-AILE	85%	30%	HOLD	0%	0%	0%	0%	0%	
		1-ELEV	85%	30%	Curva del pitch						
		1-RUDD	85%	0%	NOR	30%	40%	50%	75%	100%	
		2-AILE	85%	30%	ST-1	0%	25%	50%	75%	100%	
		2-ELEV	85%	30%	ST-2	0%	25%	50%	75%	100%	
		2-RUDD	85%	0%	HOLD	0%	25%	50%	75%	100%	
Fasi di Volo Fasi Volo: F. Volo Hold: Inibito		Servo		Regolazione della corsa dei servo		Inversione		Timer			
		THRO	100%	THRO	N	4:00		Vol de base			
		AILE	100%	AILE	N	3:00		Vol acrobatique			
		ELEV	100%	ELEV	N	MOD0		Timer			
		RUDD	100%	RUDD	N	TEMPO		4:00 Ton/Vib			
		GEAR	100%	GEAR	N	INIZIO		Gas			
		PITC	100%	PIT.	N	POS		25			
Frame Rate 22ms DSMX											

Connessione (binding) fra trasmettitore e ricevitore

Se hai acquistato un modello RTF, il binding del trasmettitore è stato effettuato in fabbrica.

Per collegare o ricollegare l'Nano CP X al trasmettitore che hai scelto segui le istruzioni elencate di seguito:

Il binding è il processo di programmazione del ricevitore dell'unità di controllo per il riconoscimento del codice GUID (Globally Unique Identifier) di una particolare trasmittente. Per ottenere un funzionamento corretto è necessario effettuare il "binding" al ricevitore utilizzando un trasmettitore per velivoli dotato di tecnologia *Spektrum DSM2/DSMX*.

AVVISO: Utilizza le istruzioni di binding che si trovano sotto le istruzioni della radio computer se utilizzi un trasmettitore DX4e o DX5e con l'Nano CP X BNF.

✓ Procedura del Binding per radio computer:	
1.	Scollega la batteria di volo dall'elicottero.
2.	Spegni il trasmettitore e sposta tutti gli interruttori in posizione 0.
3.	Collega la batteria di volo nell'elicottero. Il LED dell'unità di controllo 3-in-1 lampeggia dopo 5 secondi.
4.	Spingere il bottone del trainer mentre si accende la radio.
5.	Rilasciare il bottone del bind dopo 2-3 secondi.
6.	Muovere la leva del timone destra. Continuare a tenere la leva verso la destra fino a quando il LED blu sull'unità di controllo 3-in-1 e' acceso.
7.	Rilasciare la leva del timone.
8.	Scollega la batteria di volo e spegni il trasmettitore.

AVVISO: L'accelerazione non partirà se la leva dell'accelerazione non e' impostata nella posizione minima ed il pulsante Stunt non e' impostato sulla posizione 0.

Se riscontrate problemi, seguite le istruzioni per il Binding nella guida. Se necessario, contattate l'ufficio Supporto della Horizon Hobby

Per un elenco completo delle trasmittenti compatibili, visitare il sito www.bindnfly.com.

✓ Procedura del Binding per radio senza computer (DX4e, DX5e)	
1.	Scollega la batteria di volo dall'elicottero.
2.	Spegni il trasmettitore e sposta tutti gli interruttori in posizione 0.
3.	Collega la batteria di volo nell'elicottero. Il LED dell'unità di controllo 3-in-1 lampeggia dopo 5 secondi.
4.	Spingere il bottone del trainer mentre si accende la radio.
5.	Muovere la leva del timone verso sinistra dopo che il LED della radio ha lampeggiato 2 volte.
6.	Rilasciare il bottone del trainer. Continuare a tenere la leva verso la sinistra fino a quando il LED blu sull'unità di controllo 3-in-1 e' acceso.
7.	Rilasciare la leva del timone.
8.	Spingere il bottone del trainer. Il Led blu dell'unità di controllo 3-in-1 lampeggerà confermando che l'elicottero e' nel modo senza computer.
9.	Scollega la batteria di volo e spegni il trasmettitore.

AVVISO: se il piatto ciclico si muove su e giù quando si sposta l'interruttore trainer, l'elicottero si trova in modalità trasmettitore computer; ripeti la procedura di binding.

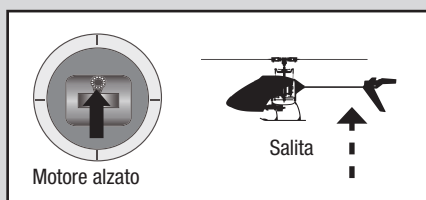
Capire i controlli principali per il volo

Se non hai familiarità con i comandi dell'Nano CP X, è bene che spenda qualche minuto per apprenderli prima di provare a farlo volare.

Throttle (vista laterale sinistra)

Modo 1

Modo 2



Timone (vista dall'alto)

Modo 1

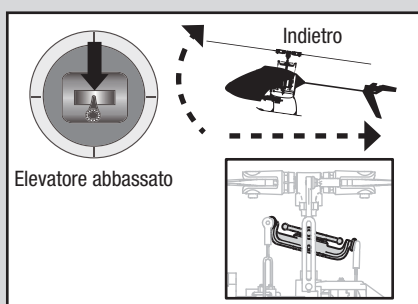
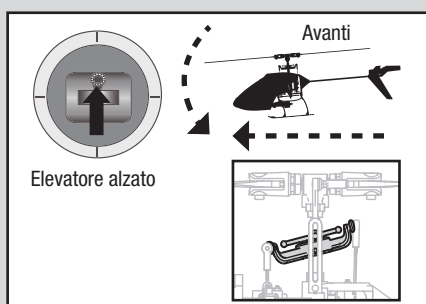
Modo 2



Elevatori (vista laterale sinistra)

Modo 1

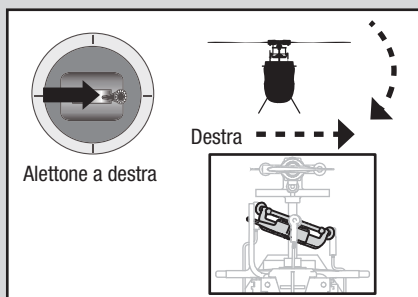
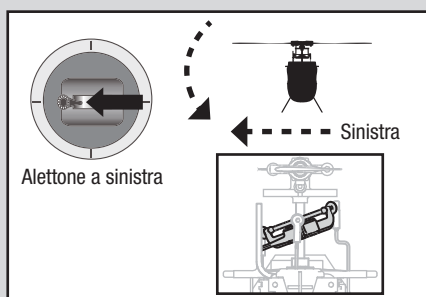
Modo 2



Alettoni (vista posteriore)

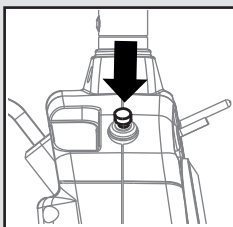
Modo 1

Modo 2



Sgancio del motore (throttle hold)

Il Throttle hold è utilizzato per spegnere i motori dell'elicottero se l'elicottero è fuori controllo, in pericolo di schiantarsi o in entrambi i casi. Attiva throttle hold in qualsiasi momento in cui l'elicottero sia in pericolo di schiantarsi per ridurre la possibilità che l'elicottero si danneggi in un incidente. Throttle hold arresta il motore in modalità normale o acrobatica.

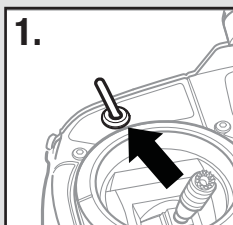


Throttle Hold ON (DX4e)

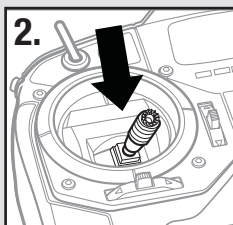
Premi il pulsante trainer in qualsiasi momento per attivare il throttle hold dopo aver collegato la batteria all'elicottero. Il LED blu lampeggia, indicando che il comando throttle hold è attivo.

Throttle Hold OFF (DX4e)

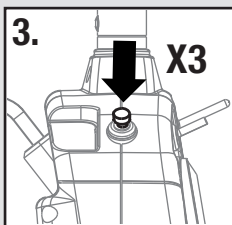
1. Verifica che l'interruttore AUX sia in posizione OFF.
2. Abbassa lo stick del throttle.
3. Premi il pulsante trainer tre volte entro 3 secondi. Il LED blu è acceso fisso.



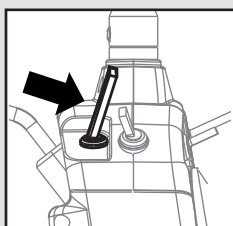
1.



2.



3.

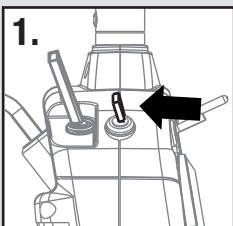


Throttle Hold ON (DX5e)

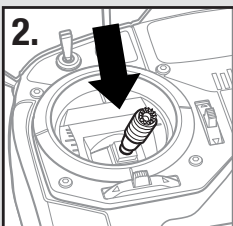
Tira l'interruttore trainer in qualsiasi momento per attivare il throttle hold dopo aver collegato la batteria all'elicottero. Il LED blu lampeggia, indicando che il comando throttle hold è attivo.

Throttle Hold OFF (DX5e)

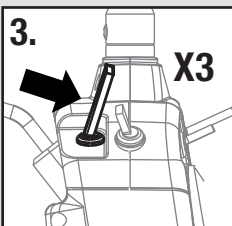
1. Verifica che l'interruttore Gear sia in posizione (0).
2. Abbassa lo stick del throttle.
3. Tira l'interruttore trainer tre volte entro 3 secondi. Il LED blu è acceso fisso.



1.



2.



3.

Modalità acrobatica

La modalità acrobatica permette all'elicottero di volare rovesciato ed eseguire acrobazie. Il throttle funziona costantemente quando la modalità acrobatica è attiva, indipendentemente dalla posizione dello stick del throttle. Disattiva (OFF) la modalità acrobatica per tornare al controllo con lo stick del throttle.

Utilizza l'interruttore AUX/ACT sul trasmettitore DX4e o l'interruttore Gear sul trasmettitore DX5e per attivare la modalità acrobatica

DX4e – AUX/ACT OFF – Modalità normale

DX5e – Canale 5 (0) – Modalità normale

AUX/ACT ON – Modalità acrobatica

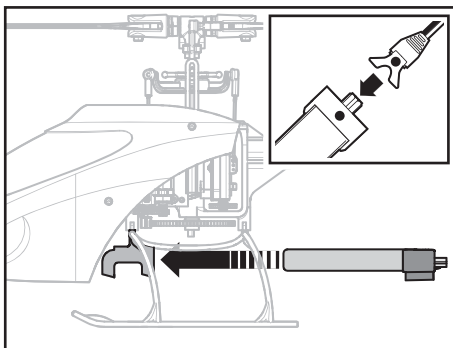
DX5e – Canale 5 (1) – Modalità acrobatica

Installazione della batteria di volo

1. Abbassa il throttle e il trim del throttle fino a metterli nelle posizioni più basse possibili.
2. Accendi il trasmettitore.
3. Installa la batteria di volo nel portabatteria. Collega il cavo della batteria all'unità di controllo 3-in-1.

AVVISO: Non permettere che l'elicottero si muova fino a quando il LED blu sull'unità di controllo 3-in-1 non è acceso fisso.

AVVISO: Disconnetti sempre la batteria Li-Po dal ricevitore del velivolo quando questo non è in volo. In caso contrario la batteria potrebbe diventare inutilizzabile.



Spegnimento per bassa tensione (LVC)

Lo spegnimento per bassa tensione (LVC) protegge la batteria Li-Po dal rischio di scaricarsi eccessivamente e si attiva quando la batteria raggiunge 3 V per cella in condizioni di carico. Impostare il timer del trasmettitore su 4 minuti e procedere all'atterraggio alla scadenza del timer.

Precauzioni e istruzioni relative all'LVC

- Un'attivazione ripetuta dell'LVC danneggia la batteria di volo e renderà necessaria la sua sostituzione.
- Scollegare sempre la batteria Li-Po dall'unità senza flybar al termine di ogni volo. Il mancato scollegamento della batteria Li-Po durante la conservazione scaricherà eccessivamente la batteria e ne impedirà la ricarica in futuro.
- L'LVC non protegge la batteria dal rischio di scaricarsi eccessivamente durante la conservazione.
- La garanzia non copre i danni derivanti da cadute o i danni alla batteria.

Volare con Nano CP X

Prima di scegliere il luogo dove volare, conviene consultare le leggi e le ordinanze locali. Scegliere un'area abbastanza ampia e aperta, lontano dalla gente e dagli edifici. Il Blade Nano CP X può volare all'interno di una palestra o all'esterno con aria calma.



ATTENZIONE: prendete qualche minuto per familiarizzare con i comandi principali del Blade Nano CP X prima di andare in volo. Questo elicottero è molto più reattivo degli altri elicotteri Blade micro come il Blade mSR. Se non siete pratici di elicotteri con il passo collettivo, vi conviene chiedere aiuto ad un pilota esperto.

Decollo

Aumentare gradualmente il motore per incrementare la velocità della testa rotore.

AVVISO: non agire sui comandi di alettone, elevatore o timone prima che l'elicottero decolli, altrimenti si potrebbe avere un incidente.

Volo

L'elicottero lascia il suolo quando il rotore raggiunge una velocità adeguata e voi incrementate il passo collettivo. Stabilizzate un hovering a bassa quota per verificare il funzionamento dell'elicottero.

Per i piloti nuovi al passo collettivo, conviene familiarizzarsi con il Nano CP X nel modo normale e con le corse ridotte. Dopo aver preso confidenza si può regolare le corse, gli expo, le curve di passo e motore per adattarli al proprio stile di pilotaggio.

AVVISO: volare sempre con la schiena rivolta verso il sole per evitare di essere abbagliati e di perdere il controllo.

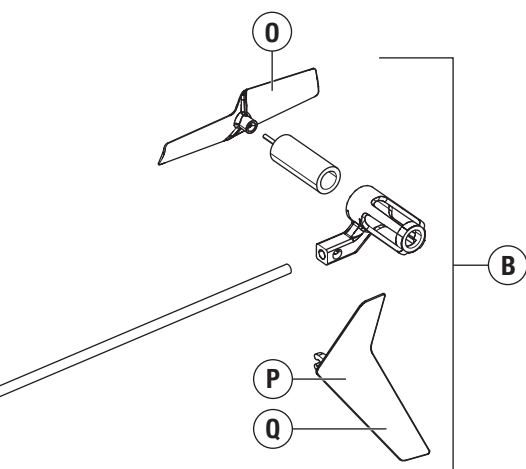
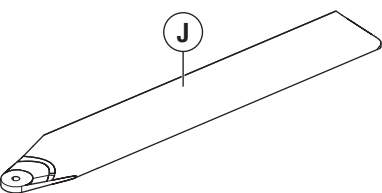
Atterraggio

Impostare un hovering a bassa quota. Ridurre gradualmente il motore finché l'elicottero atterra. Operare sempre con piccole correzioni sui comandi per evitare che il rotore tocchi a terra.

AVVISO: per minimizzare i danni, attivare sempre il "throttle hold" (sgancio del motore) in previsione o durante un impatto violento con il suolo.

Guida alla risoluzione dei problemi

Problema	Possibile causa	Soluzione
L'elicottero non si inizializza	Throttle in posizione alto	Riposiziona i comandi con lo stick del throttle e il trim del throttle al centro o nella impostazione più in basso
	Interruttori non in posizione normale	Imposta la modalità di volo su OFF/0 e disattiva il throttle hold
	Inversione del servo del pitch o del throttle non correttamente configurato	Ripristina inversione del servo. Fa riferimento a "Programmazione del trasmettitore"
L'elicottero non prende giri	Throttle hold attivo	Spegni HOLD con throttle basso e trim al centro o in basso. Fa riferimento a "Throttle Hold"
	Tensione della batteria bassa	Ricarica completamente la batteria di volo
La potenza del motore diminuisce durante il volo	Il ricevitore utilizza per impostazione predefinita il taglio di bassa tensione (LVC) software	Ricarica la batteria di volo o sostituisci la batteria se non funziona più
Impossibile spegnere il throttle hold	Interruttore di modalità acrobatica ancora acceso	Imposta la modalità di volo su OFF/ 0 e chiudi throttle hold
	Throttle non in posizione basso	Riposiziona i comandi con lo stick del throttle e il trim del throttle al centro o nella impostazione più in basso
Si spegne quando vola a testa in giù (rovesciato)	Modalità acrobatica spenta	Quando in volo, passa in modalità acrobatica su ON/1 prima del volo rovesciato.
Non effettua correttamente il binding a una radio non-computer	L'elicottero effettua il binding in modo differente alle radio non-computer	Rilascia il pulsante/interruttore di binding dopo l'applicazione di timone a sinistra. Non tenere premuto il pulsante/interruttore di binding dopo l'applicazione di timone a sinistra.
Scarsa facoltà di controllo della coda	Il braccio di coda è incrinato	Sostituisci il braccio di coda
	La pala del rotore di coda è deformata o piegata	Forza il rotore in posizione o sostituisilo
La velocità di salita è molto ridotta	L'ingranaggio principale è scivolato sull'albero principale	Spingi l'ingranaggio principale in posizione
Il LED sul ricevitore lampeggia velocemente e l'aereo non si connette al trasmettitore (durante il "binding")	Il trasmettitore è troppo vicino all'aereo durante la procedura di connessione (binding)	Spegnere il trasmettitore e allontanarlo dall'aereo prima di rifare la procedura di connessione (binding)
	L'interruttore o il pulsante di "bind" non è stato premuto durante l'accensione del trasmettitore	Spegnere il trasmettitore e rifare la procedura di connessione (binding)
	L'aereo o il trasmettitore sono troppo vicini a grossi oggetti metallici, sorgenti WiFi o altri trasmettitori	Spostare aereo e trasmettitore in un'altra posizione e rifare la procedura di connessione (binding)
Il LED sul ricevitore lampeggia velocemente e l'aereo non risponde al trasmettitore (dopo il "binding")	Non si è aspettato per almeno 5 secondi tra l'accensione del trasmettitore e quella del ricevitore	Lasciando il trasmettitore acceso, scollegare e ricollegare la batteria di bordo
	L'aereo è connesso con un'altra memoria del trasmettitore (solo radio con <i>Modelmatch</i>)	Scegliere la memoria corretta sul trasmettitore e rifare la connessione
	Le batterie di trasmettitore e/o ricevitore sono quasi scariche	Sostituire o ricaricare le batterie scariche
	Il trasmettitore è stato connesso con un modello diverso (o con un protocollo <i>DSM</i> differente)	Scegliere il trasmettitore giusto o fare la connessione (binding) con un'altro
	L'aereo o il trasmettitore sono troppo vicini a grossi oggetti metallici, sorgenti WiFi o altri trasmettitori	Spostare aereo e trasmettitore in un'altra posizione e rifare la procedura di connessione (binding)
L'elicottero vibra o trema in volo	Danni alle pale del rotore, ai mandrini o ai porta pale	Verifica che non ci siano incrinature o scheggiature nelle pale del rotore e nei porta pale. Sostituisci i componenti danneggiati. Sostituisci il mandrino piegato.



Pezzi opzionali

Codice	Descrizione
BLH3318A	Set capottina blu
BLH3320A	Piano di coda verticale blu: Nano CP X
EFLC1004	Caricabatterie Celecra 4 uscite
EFLC1005	Alimentatore da AC a 6VDC 1.5-Amp
	DX6i Trasmettitore
	DX7S Trasmettitore
	DX8 Trasmettitore
	DX18 Trasmettitore

Codice	Descrizione
L	BLH3313 Alberino portapala con O-ring e viti: Nano CP X
M	BLH3314 Supporto pala principale con cuscinetti: Nano CP X
N	BLH3315 2x5x2 Cuscinetto (2)
O	BLH3603 Rotore di coda: mCP X/2, Nano CP X
P	BLH3318 Set capottina gialla: Nano CP X
Q	BLH3320 Piano di coda verticale con decal: Nano CP X
R	BLH3521 Gommmini capottina (8)
S	BLH3322 Barrette comandi testa (4): Nano CP X
	BLH3323 Set viti e dadi: Nano CP X
T	SPMSH2025L 2.0 g Lineare lungo, 15mm cavo
U	SPMSH2026L 2.1 g Lineare lungo, 38mm cavo
	SPMR4400 DX4e DSMX trasmettitore 4 canali
	EFLC1000 Caricabatterie 1-Cell 3.7V 0.3A DC Li-Po
V	EFLB1501S25 Batteria 150mAh 1S 3.7V 25C Li-Po
	SPM6836 Meccanica servo: 2.3 g 2030L
	BLH3324 Set attrezzi: Nano CP X

Codice	Descrizione
A	BLH3301 Unità di controllo Flybarless 3n1, RX/ESCs/Gyros: Nano CP X
B	BLH3302 Gruppo tubo di coda con motore, rotore e supporto: Nano CP X
C	BLH3303 Motore principale con pignone: Nano CP X
D	BLH3304 Pattini atterraggio e supporto batteria: Nano CP X
E	BLH3305 Telaio principale con viti: Nano CP X
F	BLH3306 Ingranaggio principale: Nano CP X, Scout CX
G	BLH3307 Albero principale in carbonio con collare e viti: Nano CP X
H	BLH3308 Barrette comandi con attacchi a sfera, 3pcs: Nano CP X
I	BLH3309 Piatto di precisione completo: Nano CP X
J	BLH3310 Set pale rotore principale con viti: Nano CP X
K	BLH3312 Supporto rotore principale con viti: Nano CP X

Limiti di garanzia

Periodo di garanzia

Garanzia esclusiva - Horizon Hobby, Inc., (Horizon) garantisce che i prodotti acquistati (il "Prodotto") sono privi di difetti relativi ai materiali e di eventuali errori di montaggio. Il periodo di garanzia è conforme alle disposizioni legali del paese nel quale il prodotto è stato acquistato. Tale periodo di garanzia ammonta a 6 mesi e si estende ad altri 18 mesi dopo tale termine.

Limiti della garanzia

- (a) La garanzia è limitata all'acquirente originale (Acquirente) e non è cedibile a terzi. L'acquirente ha il diritto a far riparare o a far sostituire la merce durante il periodo di questa garanzia. La garanzia copre solo quei prodotti acquistati presso un rivenditore autorizzato Horizon. Altre transazioni di terze parti non sono coperte da questa garanzia. La prova di acquisto è necessaria per far valere il diritto di garanzia. Inoltre, Horizon si riserva il diritto di cambiare o modificare i termini di questa garanzia senza alcun preavviso e di escludere tutte le altre garanzie già esistenti.
- (b) Horizon non si assume alcuna garanzia per la disponibilità del prodotto, per l'adeguatezza o l'idoneità del prodotto a particolari previsti dall'utente. È sola responsabilità dell'acquirente il fatto di verificare se il prodotto è adatto agli scopi da lui previsti.
- (c) Richiesta dell'acquirente - spetta soltanto a Horizon, a propria discrezione riparare o sostituire qualsiasi prodotto considerato difettoso e che rientra nei termini di garanzia. Queste sono le uniche rivalse a cui l'acquirente si può appellare, se un prodotto è difettoso.

Horizon si riserva il diritto di controllare qualsiasi componente utilizzato che viene coinvolto nella rivalsa di garanzia. Le decisioni relative alla sostituzione o alla riparazione avvengono solo in base alla discrezione di Horizon. Questa garanzia non copre dei danni superficiali o danni per cause di forza maggiore, uso errato del prodotto, negligenza, uso ai fini commerciali, o una qualsiasi modifica a qualsiasi parte del prodotto.

Questa garanzia non copre danni dovuti ad una installazione errata, ad un funzionamento errato, ad una manutenzione o un tentativo di riparazione non idonei a cura di soggetti diversi da Horizon. La restituzione del prodotto a cura dell'acquirente, o da un suo rappresentante, deve essere approvata per iscritto dalla Horizon.

Limiti di danno

Horizon non si riterrà responsabile per danni speciali, diretti, indiretti o consequenziali; perdita di profitto o di produzione; perdita commerciale connessa al prodotto, indipendentemente dal fatto che la richiesta si basa su un contratto o sulla garanzia. Inoltre la responsabilità di Horizon non supera mai in nessun caso il prezzo di acquisto del prodotto per il quale si chiede la responsabilità. Horizon non ha alcun controllo sul montaggio, sull'utilizzo o sulla manutenzione del prodotto o di combinazioni di vari prodotti. Quindi Horizon non accetta nessuna responsabilità per danni o lesioni derivanti da tali circostanze. Con l'utilizzo e il montaggio del prodotto l'utente acconsente a tutte le condizioni, limitazioni e riserve di garanzia citate in questa sede.

Qualora l'utente non fosse pronto ad assumersi tale responsabilità associata all'uso del prodotto, si suggerisce di restituire il prodotto intatto, mai usato e immediatamente presso il venditore.

Indicazioni di sicurezza

Questo è un prodotto sofisticato di hobbistica e non è un giocattolo. Esso deve essere manipolato con cautela, con giudizio e richiede delle conoscenze basilari di meccanica e delle facoltà mentali di base. Se il prodotto non verrà manipolato in maniera sicura e responsabile potrebbero risultare delle lesioni, dei gravi danni a persone, al prodotto o all'ambiente circostante. Questo prodotto non è concepito per essere usato dai bambini senza una diretta supervisione di un adulto. Il manuale del prodotto contiene le istruzioni di sicurezza, di funzionamento e di manutenzione del prodotto stesso. È fondamentale leggere e seguire tutte le istruzioni e le avvertenze nel manuale prima di mettere in funzione il prodotto. Solo così si eviterà un utilizzo errato e di prevenire incidenti, lesioni o danni.

Domande, assistenza e riparazioni

Il vostro negozio locale e/o luogo di acquisto non possono fornire garanzie di assistenza o riparazione senza previo colloquio con Horizon. Questo vale anche per le riparazioni in garanzia. Quindi in tali casi bisogna interpellare un rivenditore, che si metterà in contatto subito con Horizon per prendere una decisione che vi possa aiutare nel più breve tempo possibile.

Manutenzione e riparazione

Se il prodotto deve essere ispezionato o riparato, si prega di rivolgersi ad un rivenditore specializzato o direttamente ad Horizon. Il prodotto deve essere imballato con cura. Bisogna far notare che i box originali solitamente non sono adatti per effettuare una spedizione senza subire alcun danno. Bisogna effettuare una spedizione via corriere che fornisca una tracciabilità e un'assicurazione, in quanto Horizon non si assume alcuna responsabilità in relazione alla spedizione del prodotto. Inserire il prodotto in una busta assieme ad una descrizione dettagliata degli errori e ad una lista di tutti i singoli componenti spediti. Inoltre abbiamo bisogno di un indirizzo completo, di un numero di telefono per chiedere ulteriori domande e di un indirizzo e-mail.

Garanzia a riparazione

Le richieste in garanzia verranno elaborate solo se è presente una prova d'acquisto in originale proveniente da un rivenditore specializzato autorizzato, nella quale è ben visibile la data di acquisto. Se la garanzia viene confermata, allora il prodotto verrà riparato o sostituito. Questa decisione spetta esclusivamente a Horizon Hobby.

Riparazioni a pagamento

Se bisogna effettuare una riparazione a pagamento, effettueremo un preventivo che verrà inoltrato al vostro rivenditore. La riparazione verrà effettuata dopo l'autorizzazione da parte del vostro rivenditore. La somma per la riparazione dovrà essere pagata al vostro rivenditore. Le riparazioni a pagamento avranno un costo minimo di 30 minuti di lavoro e in fattura includeranno le spese di restituzione. Qualsiasi riparazione non pagata e non richiesta entro 90 giorni verrà considerata abbandonata e verrà gestita di conseguenza.

Attenzione: Le riparazioni a pagamento sono disponibili solo sull'elettronica e sui motori. Le riparazioni a livello meccanico, soprattutto per gli elicotteri e le vetture RC sono molto costose e devono essere effettuate autonomamente dall'acquirente.

Contatti per garanzia e assistenza

Stato in cui il prodotto è stato acquistato	Horizon Hobby	Indirizzo	Telefono/Indirizzo e-mail
Germania	Horizon Technischer Service	Christian-Junge-Straße 1 25337 Elmshorn Germany	+49 (0) 4121 2655 100 service@horizonhobby.de

Informazioni per il servizio al cliente

Stato in cui il prodotto è stato acquistato	Horizon Hobby	Indirizzo	Telefono/Indirizzo e-mail
Germania	Horizon Hobby GmbH	Christian-Junge-Straße 1 25337 Elmshorn Germany	+49 (0) 4121 2655 100 service@horizonhobby.de

Conformità per l'Unione Europea

AT	BE	BG	CZ	CY
DE	DK	ES	FI	GR
HU	IE	IT	LT	LU
LV	MT	NL	PL	PT
RO	SE	SI	SK	UK

Dichiarazione di conformità

(in conformità con ISO/IEC 17050-1)

No. HH2012081003

Prodotto(i): Nano CP X RTF (DX4e trasmettitore)

Numero(i) articolo: BLH3300

Classe dei dispositivi: 2

Gli oggetti presentati nella dichiarazione sopra citata sono conformi ai requisiti delle specifiche elencate qui di seguito, seguendo le disposizioni della direttive europee R&TTE 1999/5/EC e EMC 2004/108/EC e LVD 2006/95/EC:

EN 300-328 V1.7.1: 2006

EN 301 489-1 V1.7.1: 2006

EN 301 489-17 V1.3.2: 2008

EN 60950-1:2006+A12: 2011

EN55022: 2010

EN55024: 2010



Firmato per conto di:
Horizon Hobby, Inc.
Champaign, IL USA
10 agosto 2012

A handwritten signature in black ink, which appears to read 'S A Hall'.

Steven A. Hall
Executive VP – Chief Operating Officer
International Operations and Risk Management
Horizon Hobby, Inc.

Dichiarazione di conformità

(in conformità con ISO/IEC 17050-1)

No. HH2012081002

Prodotto(i): Nano CP X BNF

Numero(i) articolo: BLH3380

Classe dei dispositivi: 1

Gli oggetti presentati nella dichiarazione sopra citata sono conformi ai requisiti delle specifiche elencate qui di seguito, seguendo le disposizioni della direttiva europea R&TTE 1999/5/EC, CEM 2004/108/EC e LVD 2006/95/EC:

EN 301 489-1 V1.7.1: 2006

EN 301 489-17 V1.3.2: 2008

EN 60950-1:2006+A12: 2011

EN55022: 2010

EN55024: 2010



Firmato per conto di:
Horizon Hobby, Inc.
Champaign, IL USA
10 agosto 2012

Steven A. Hall
Executive VP – Chief Operating Officer
International Operations and Risk Management
Horizon Hobby, Inc.

Istruzioni del RAEE per lo smaltimento da parte di utenti dell'Unione Europea



Questo prodotto non deve essere smaltito assieme ai rifiuti domestici. Al contrario, l'utente è responsabile dello smaltimento di tali rifiuti che devono essere portati in un centro di raccolta designato per il riciclaggio di rifiuti elettrici e apparecchiature elettroniche. La raccolta differenziata e il riciclaggio di tali rifiuti provenienti da apparecchiature nel momento dello smaltimento aiuteranno a preservare le risorse naturali e garantiranno un riciclaggio adatto a proteggere il benessere dell'uomo e dell'ambiente. Per maggiori informazioni sui centri di raccolta, contattare il proprio ufficio locale, il servizio di smaltimento rifiuti o il negozio presso il quale è stato acquistato il prodotto.

©2012 Horizon Hobby, Inc

Blade, E-flite, AS3X, Celectra, Bind-N-Fly, DSM2, DSMX, and ModelMatch are trademarks or registered trademarks of Horizon Hobby, Inc. The Spektrum trademark is used with permission of Bachmann Industries, Inc.

Futaba is a registered trademark of Futaba Denshi Kogyo Kabushiki Kaisha Corporation of Japan.

D578,146. US 7,898,130. PRC ZL 200720069025.2. Other patents pending.

Created 5/12 35294 BLH3300/BLH3380